

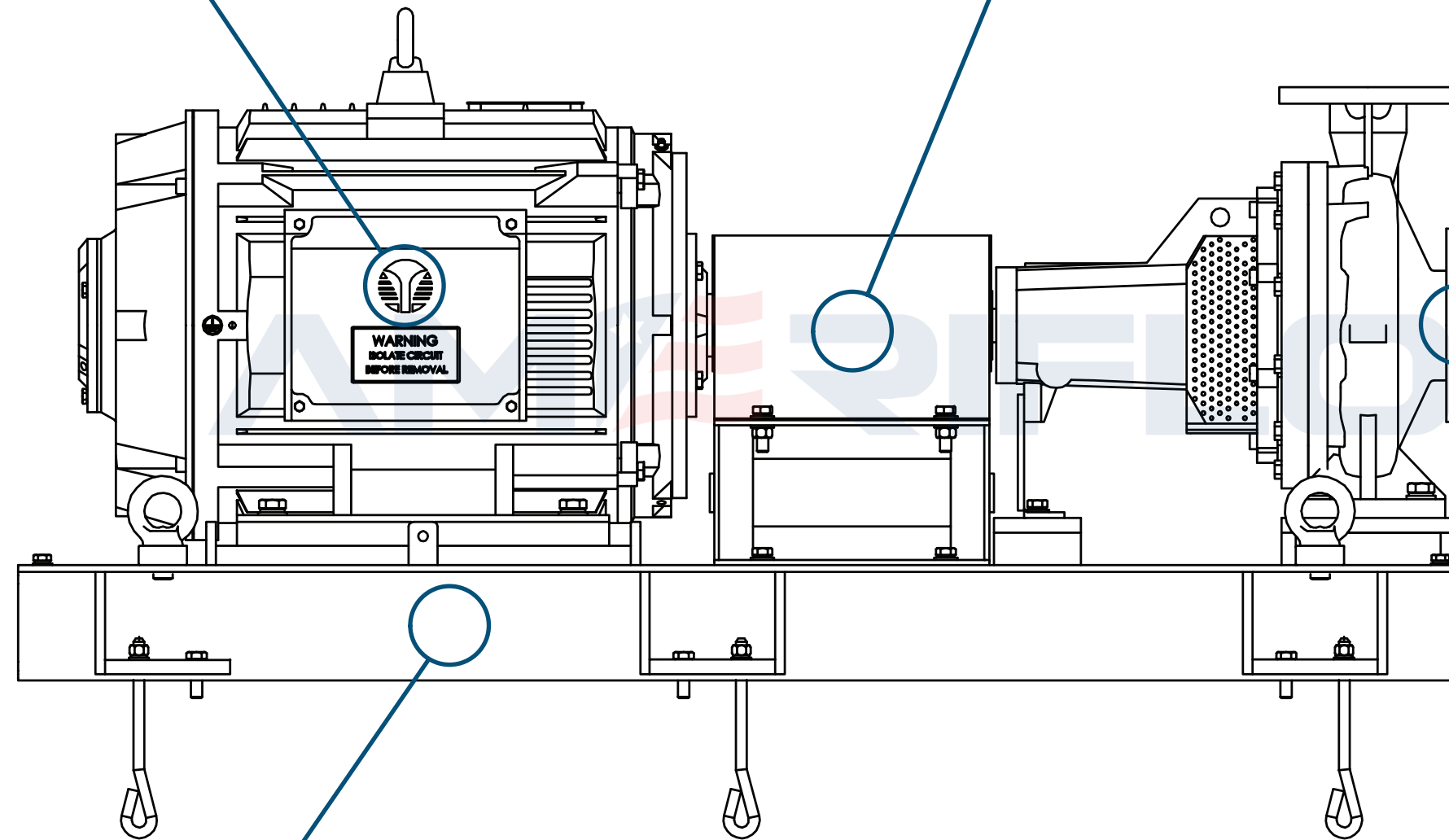
# SERIES 5010

## ELECTRIC MOTOR END SUCTION COMPONENTS

ELECTRIC MOTOR		EXAMPLE	
950-①-②		950-TDC324TS50U2B-TECO	
①	MOTOR DESCRIPTION	T-FRAME, ODP, 3/60/460, 324TS, 50 HP, 3550 RPM	
②	MOTOR VENDOR	TECO-WESTINGHOUSE	

ELECTRIC MOTOR POWERTRAIN COMPONENTS	
COUPLING	977-XXXXXX
COUPLING GUARD	998-XXXXXX

PUMP MODEL	PART NUMBER	SHAFT DIAMETER
		[MM]
1.5x2.5-9 ES	5010-152509-DI/304	24
1.5x2.5-11 ES	5010-152511-DI/304	24
2x2.5-9 ES	5010-202509-DI/304	24
2x2.5-11 ES	5010-202511-DI/304	24
2.5x3-9 ES	5010-253009-DI/304	24
2.5x3-11 ES	5010-253011-DI/304	32
2.5x3-13 ES	5010-253013-DI/304	32
3x4-9 ES	5010-304009-DI/304	32
3x4-11 ES	5010-304011-DI/304	32
3x4-13 ES	5010-304013-DI/304	32
5x6-13 ES	5010-506013-DI/304	32



BASE ASSEMBLY		EXAMPLE	
982-①-②		982-ES152511-284/286TS-104	
①	PUMP & MOTOR MODEL	1.5x2.5-11 ES, 284/286TS	
②	MATERIAL (104, 316, ETC.)	CARBON STEEL	

FIRE PUMP ACCESSORIES
UL/FM ACCESSORY PACKAGE - 5040-ACC-XXXXXX
CONTROLLERS - 990-XXXXXX
ACCESSORIES - 952-XXXXXX
VALVES, FLOWMETERS - 952-XXXXXX
JOCKEY PUMPS - 4710-XXXXXX, 4770-XXXXXX
GEN-PAC BOOSTER - 5045-XXXXXX

# SERIES 5010

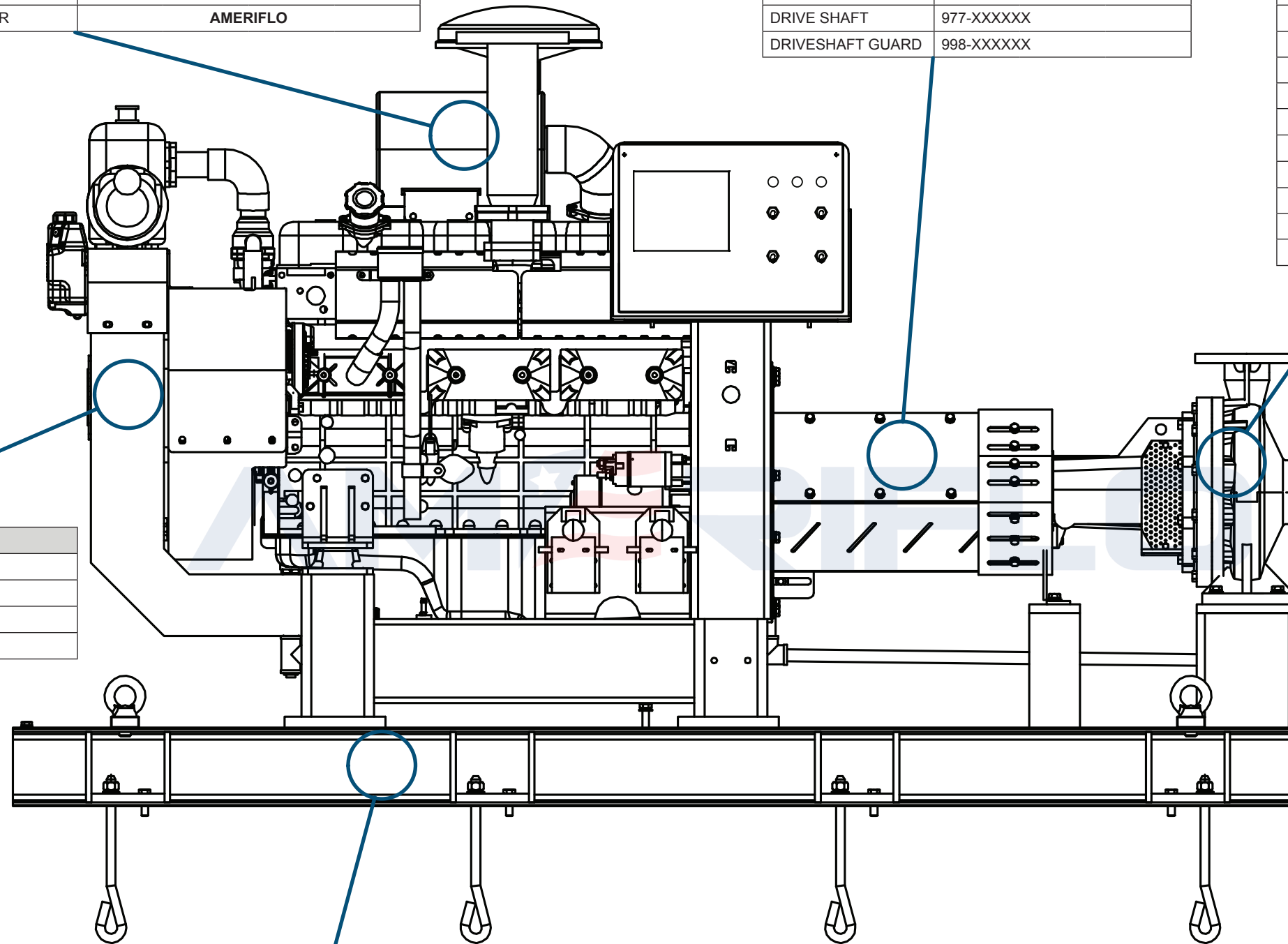
## DIESEL ENGINE END SUCTION COMPONENTS

DIESEL ENGINE		EXAMPLE	
951-①-②		951-AF6-114B-2950-AF	
①	DIESEL ENGINE MODEL	AF6-114B, 2950 RPM	
②	DIESEL ENGINE VENDOR	AMERIFLO	

DIESEL ENGINE POWERTRAIN COMPONENTS	
DIESEL COUPLING	977-XXXXXX
DRIVE DISC	977-XXXXXX
DRIVE SHAFT	977-XXXXXX
DRIVESHAFT GUARD	998-XXXXXX

PUMP MODEL	PART NUMBER	SHAFT DIAMETER
		[MM]
1.5x2.5-9 ES	5010-152509-DI/304	24
1.5x2.5-11 ES	5010-152511-DI/304	24
2x2.5-9 ES	5010-202509-DI/304	24
2x2.5-11 ES	5010-202511-DI/304	24
2.5x3-9 ES	5010-253009-DI/304	24
2.5x3-11 ES	5010-253011-DI/304	32
2.5x3-13 ES	5010-253013-DI/304	32
3x4-9 ES	5010-304009-DI/304	32
3x4-11 ES	5010-304011-DI/304	32
3x4-13 ES	5010-304013-DI/304	32
5x6-13 ES	5010-506013-DI/304	32

DIESEL ENGINE ACCESSORIES	
BATTERY RACK	991-XXXXXX
BATTERY	991-XXXXXX
SILENCER	957-XXXXXX
FUEL TANKS	958-XXXXXX



BASE ASSEMBLY		EXAMPLE	
982-①-②		982-ES152511-AF4-90-104	
①	PUMP & ENGINE MODEL	1.5x2.5-11 ES, AF4-90	
②	MATERIAL (104, 316, ETC.)	CARBON STEEL	

FIRE PUMP ACCESSORIES	
UL/FM ACCESSORY PACKAGE - 5040-ACC-XXXXXX	
CONTROLLERS - 990-XXXXXX	
ACCESSORIES - 952-XXXXXX	
VALVES, FLOWMETERS - 952-XXXXXX	
JOCKEY PUMPS - 4710-XXXXXX, 4770-XXXXXX	
GEN-PAC BOOSTER - 5045-XXXXXX	