

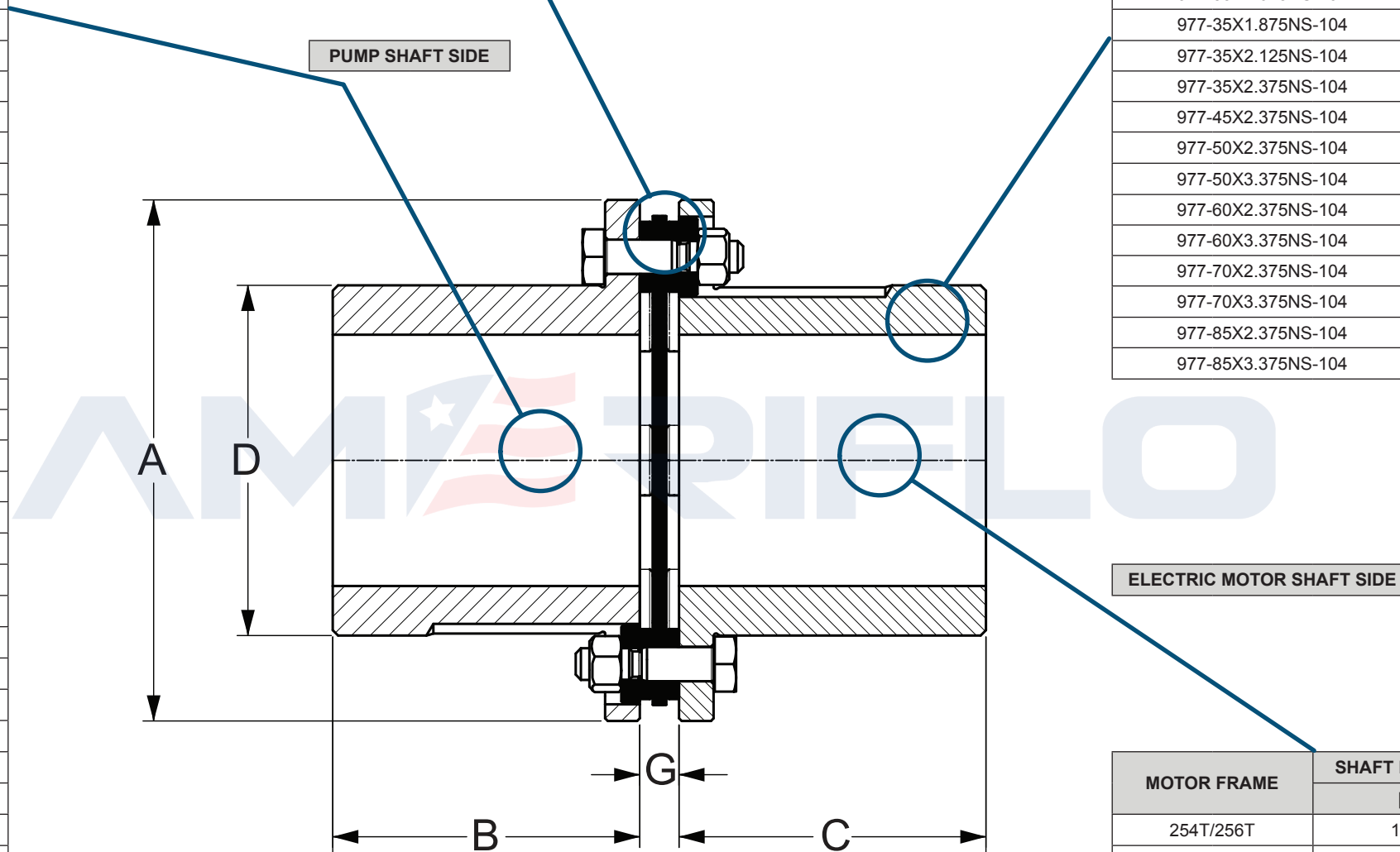
# SERIES 9000

## NON-SPACER RIGID COUPLING COMPONENTS FOR ELECTRIC MOTORS

MODEL	PART NUMBER	SHAFT DIAMETER
		[MM]
1.5x2.5-9 ES	5010-152509-DI/304	24
1.5x2.5-11 ES	5010-152511-DI/304	24
2x2.5-9 ES	5010-202509-DI/304	24
2x2.5-11 ES	5010-202511-DI/304	24
2.5x3-9 ES	5010-253009-DI/304	24
2.5x3-11 ES	5010-253011-DI/304	32
2.5x3-13 ES	5010-253013-DI/304	32
3x4-9 ES	5010-304009-DI/304	32
3x4-11 ES	5010-304011-DI/304	32
3x4-13 ES	5010-304013-DI/304	32
5x6-13 ES	5010-506013-DI/304	32
3x5-10 SC	5040-SC305010-DI/304	35
3x5-15 SC	5040-SC305015-DI/304	35
4x5-12 SC	5040-SC405012-DI/304	35
4x5-13(2) SC	5040-SC405013(2)-DI/304	45
5x6-11 SC	5040-SC506011-DI/304	35
5x6-13 SC	5040-SC506013-DI/304	35
5x6-16 SC	5040-SC506016-DI/304	45
6x8-12 SC	5040-SC608012-DI/304	35
6x8-13A SC	5040-SC608013A-DI/304	45
6x8-13B SC	5040-SC608013B-DI/304	45
6x8-16 SC	5040-SC608016-DI/304	45
6x8-17 SC	5040-SC608017-DI/304	45
6x8-19 SC	5040-SC608019-DI/304	55
6x8-20(2) SC	5040-SC608020(2)-DI/304	65
8x10-14 SC	5040-SC801014-DI/304	65
8x10-18 SC	5040-SC801018-DI/304	55
8x10-20A SC	5040-SC801020A-DI/304	65
8x10-20B SC	5040-SC801020B-DI/304	65
10x12-22 SC	5040-SC101222-DI/304	75
10x12-27 SC	5040-SC101227-DI/304	75
10x14-26 SC	5040-SC101426-DI/304	85
14x16-26 SC	5040-SC141626-DI/304	85
12x16-30 SC	5040-SC121630-DI/304	85
12x16-30 SC	5040-SC121630-DI/304	85

COUPLING PART NUMBER DETAIL	
PART NUMBER	EXAMPLE
977- <b>●</b> X <b>●</b> NS-104	977-32X2.375NS-104
<b>●</b> - PUMP SHAFT DIAMETER	32 MM
<b>●</b> - MOTOR SHAFT DIAMETER	2.375 IN
"NS" MODEL	NON-SPACER
MATERIAL (104)	CARBON STEEL

COUPLING DIMENSIONS [MM]					
COUPLING PART NUMBER	A	B	C	D	G
977-24X1.625NS-104	100	35	61	70	8.4
977-24X1.875NS-104	120	35	78	80	9.5
977-24X2.125NS-104	120	35	78	80	9.5
977-32X1.875NS-104	120	60	78	80	9.5
977-32X2.375NS-104	130	60	88	80	10.7
977-35X1.625NS-104	100	50	61	70	8.4
977-35X1.875NS-104	120	50	78	80	9.5
977-35X2.125NS-104	120	50	78	80	9.5
977-35X2.375NS-104	130	50	88	80	10.7
977-45X2.375NS-104	130	80	88	80	10.7
977-50X2.375NS-104	120	80	78	80	9.5
977-50X3.375NS-104	196	80	126	100	15.2
977-60X2.375NS-104	130	80	88	80	10.7
977-60X3.375NS-104	196	80	126	100	15.2
977-70X2.375NS-104	146	100	98	80	11.1
977-70X3.375NS-104	196	100	126	100	15.2
977-85X2.375NS-104	196	100	126	80	15.2
977-85X3.375NS-104	196	100	126	100	15.2



MOTOR FRAME	SHAFT DIAMETER [IN]
254T/256T	1.625
284T/286T	1.875
284TS/286TS	1.625
324T/326T	2.125
324TS/326TS	1.875
364T/365T	2.375
364TS/365TS	1.875
404T/405T	2.875
404TS/405TS	2.125
444T/445T	3.375
444TS/445TS	2.375
447T/449T	3.375
447TS/449TS	2.375

# SERIES 9000

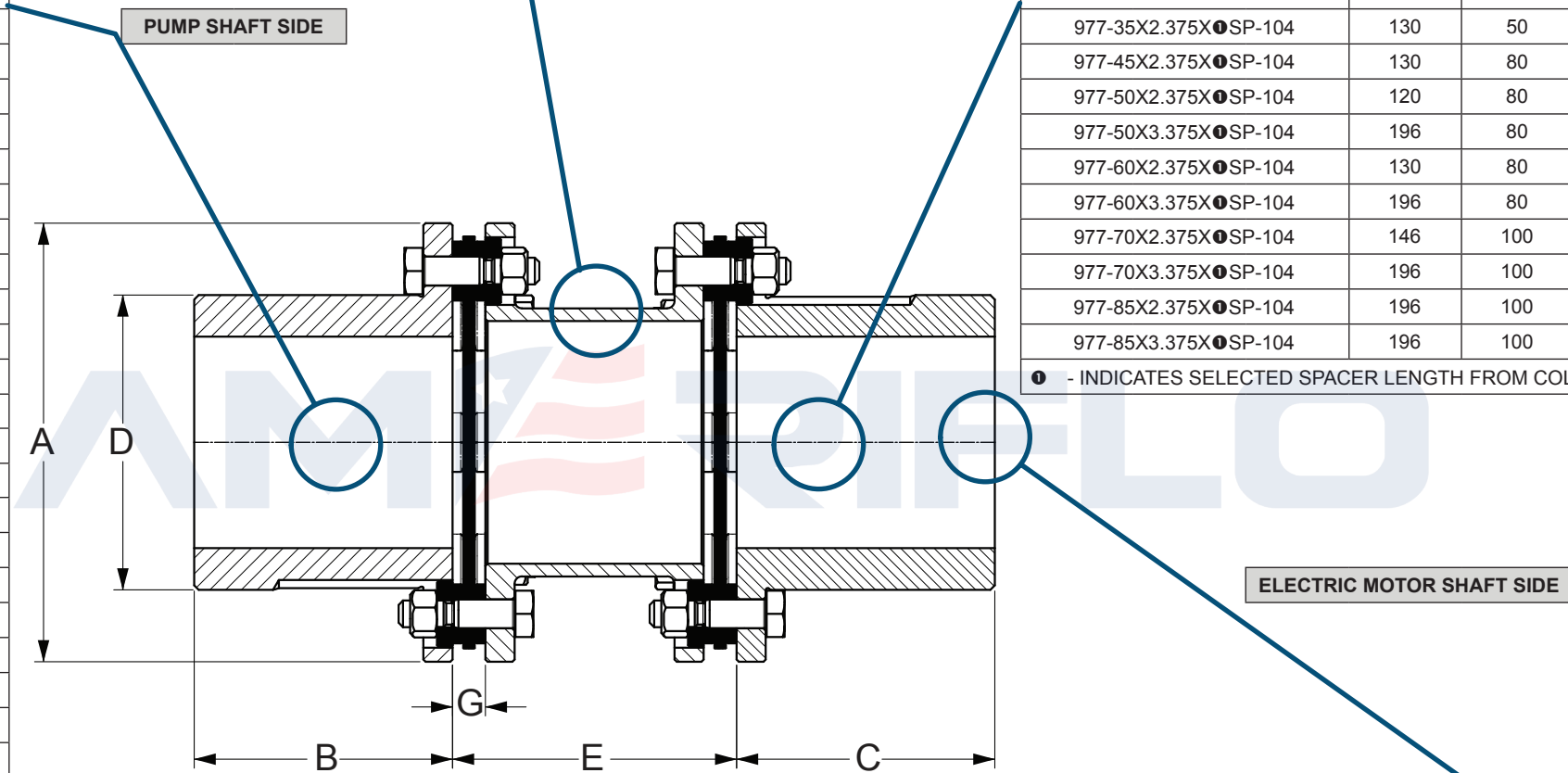
## SPACER RIGID COUPLING COMPONENTS FOR ELECTRIC MOTORS

MODEL	PART NUMBER	SHAFT DIAMETER
		[MM]
1.5x2.5-9 ES	5010-152509-DI/304	24
1.5x2.5-11 ES	5010-152511-DI/304	24
2x2.5-9 ES	5010-202509-DI/304	24
2x2.5-11 ES	5010-202511-DI/304	24
2.5x3-9 ES	5010-253009-DI/304	24
2.5x3-11 ES	5010-253011-DI/304	32
2.5x3-13 ES	5010-253013-DI/304	32
3x4-9 ES	5010-304009-DI/304	32
3x4-11 ES	5010-304011-DI/304	32
3x4-13 ES	5010-304013-DI/304	32
5x6-13 ES	5010-506013-DI/304	32
3x5-10 SC	5040-SC305010-DI/304	35
3x5-15 SC	5040-SC305015-DI/304	35
4x5-12 SC	5040-SC405012-DI/304	35
4x5-13(2) SC	5040-SC405013(2)-DI/304	45
5x6-11 SC	5040-SC506011-DI/304	35
5x6-13 SC	5040-SC506013-DI/304	35
5x6-16 SC	5040-SC506016-DI/304	45
6x8-12 SC	5040-SC608012-DI/304	35
6x8-13A SC	5040-SC608013A-DI/304	45
6x8-13B SC	5040-SC608013B-DI/304	45
6x8-16 SC	5040-SC608016-DI/304	45
6x8-17 SC	5040-SC608017-DI/304	45
6x8-19 SC	5040-SC608019-DI/304	55
6x8-20(2) SC	5040-SC608020(2)-DI/304	65
8x10-14 SC	5040-SC801014-DI/304	65
8x10-18 SC	5040-SC801018-DI/304	55
8x10-20A SC	5040-SC801020A-DI/304	65
8x10-20B SC	5040-SC801020B-DI/304	65
10x12-22 SC	5040-SC101222-DI/304	75
10x12-27 SC	5040-SC101227-DI/304	75
10x14-26 SC	5040-SC101426-DI/304	85
14x16-26 SC	5040-SC141626-DI/304	85
12x16-30 SC	5040-SC121630-DI/304	85
12x16-30 SC	5040-SC121630-DI/304	85

COUPLING PART NUMBER DETAIL	
PART NUMBER	EXAMPLE
977-①X②SP-③-104	977-32X2.375SP-104
① - PUMP SHAFT DIAMETER	32 MM
② - MOTOR SHAFT DIAMETER	2.375 IN
"SP" MODEL	SPACER
③ - SPACER LENGTH	SPACER LENGTH
MATERIAL (104)	CARBON STEEL

COUPLING PART NUMBER	COUPLING DIMENSIONS [MM]					
	A	B	C	D	G	E
977-24X1.625X①SP-104	100	35	61	70	8.4	100, 140, 180
977-24X1.875X①SP-104	120	35	78	80	9.5	100, 140, 180, 200
977-24X2.125X①SP-104	120	35	78	80	9.5	100, 140, 180, 200
977-32X1.875X①SP-104	120	60	78	80	9.5	100, 140, 180, 200
977-32X2.375X①SP-104	130	60	88	80	10.7	100, 140, 180, 200
977-35X1.625X①SP-104	100	50	61	70	8.4	100, 140, 180
977-35X1.875X①SP-104	120	50	78	80	9.5	100, 140, 180, 200
977-35X2.125X①SP-104	120	50	78	80	9.5	100, 140, 180, 200
977-35X2.375X①SP-104	130	50	88	80	10.7	100, 140, 180, 200
977-45X2.375X①SP-104	130	80	88	80	10.7	100, 140, 180, 200
977-50X2.375X①SP-104	120	80	78	80	9.5	100, 140, 180, 200
977-50X3.375X①SP-104	196	80	126	100	15.2	180, 200, 250, 280, 300
977-60X2.375X①SP-104	130	80	88	80	10.7	100, 140, 180, 200
977-60X3.375X①SP-104	196	80	126	100	15.2	180, 200, 250, 280, 300
977-70X2.375X①SP-104	146	100	98	80	11.1	140, 180, 200, 250
977-70X3.375X①SP-104	196	100	126	100	15.2	180, 200, 250, 280, 300
977-85X2.375X①SP-104	196	100	126	80	15.2	180, 200, 250, 280, 300
977-85X3.375X①SP-104	196	100	126	100	15.2	180, 200, 250, 280, 300

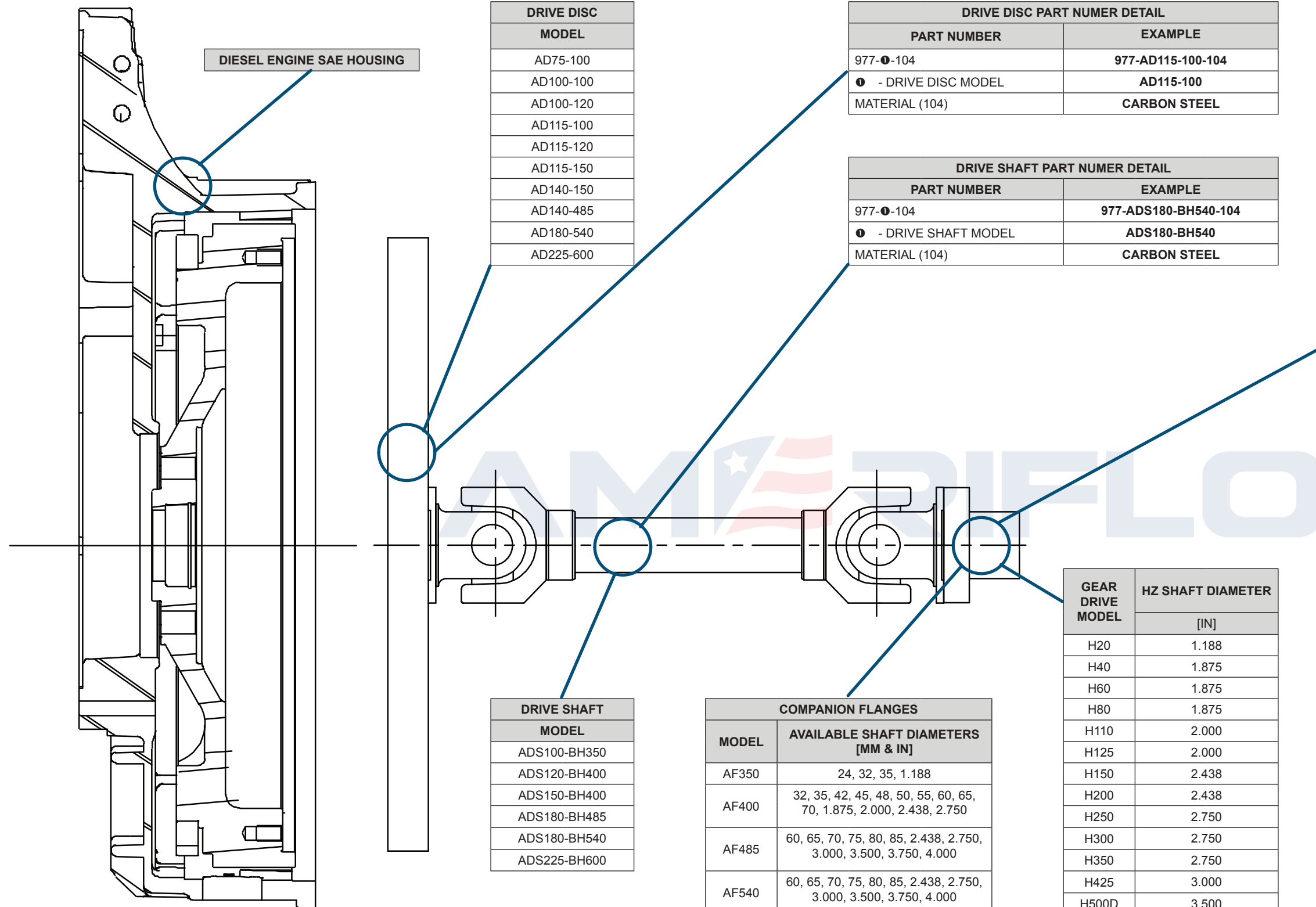
① - INDICATES SELECTED SPACER LENGTH FROM COLUMN "E"



MOTOR FRAME	SHAFT DIAMETER
	[IN]
254T/256T	1.625
284T/286T	1.875
284TS/286TS	1.625
324T/326T	2.125
324TS/326TS	1.875
364T/365T	2.375
364TS/365TS	1.875
404T/405T	2.875
404TS/405TS	2.125
444T/445T	3.375
444TS/445TS	2.375
447T/449T	3.375
447TS/449TS	2.375

# SERIES 9000

## RIGID COUPLING COMPONENTS FOR DIESEL ENGINES



DIESEL ENGINE SAE HOUSING

DRIVE DISC MODEL
AD75-100
AD100-100
AD100-120
AD115-100
AD115-120
AD115-150
AD140-150
AD140-485
AD180-540
AD225-600

DRIVE DISC PART NUMBER DETAIL	
PART NUMBER	EXAMPLE
977- <b>●</b> -104	977-AD115-100-104
<b>●</b> - DRIVE DISC MODEL	AD115-100
MATERIAL (104)	CARBON STEEL

DRIVE SHAFT PART NUMBER DETAIL	
PART NUMBER	EXAMPLE
977- <b>●</b> -104	977-ADS180-BH540-104
<b>●</b> - DRIVE SHAFT MODEL	ADS180-BH540
MATERIAL (104)	CARBON STEEL

DRIVE SHAFT MODEL
ADS100-BH350
ADS120-BH400
ADS150-BH400
ADS180-BH485
ADS180-BH540
ADS225-BH600

COMPANION FLANGES	
MODEL	AVAILABLE SHAFT DIAMETERS [MM & IN]
AF350	24, 32, 35, 1.188
AF400	32, 35, 42, 45, 48, 50, 55, 60, 65, 70, 1.875, 2.000, 2.438, 2.750
AF485	60, 65, 70, 75, 80, 85, 2.438, 2.750, 3.000, 3.500, 3.750, 4.000
AF540	60, 65, 70, 75, 80, 85, 2.438, 2.750, 3.000, 3.500, 3.750, 4.000
AF600	60, 65, 70, 75, 80, 85, 2.438, 2.750, 3.000, 3.500, 3.750, 4.000

GEAR DRIVE MODEL	HZ SHAFT DIAMETER [IN]
H20	1.188
H40	1.875
H60	1.875
H80	1.875
H110	2.000
H125	2.000
H150	2.438
H200	2.438
H250	2.750
H300	2.750
H350	2.750
H425	3.000
H500D	3.500
H600D	3.750
H750D	3.750
H1000D	3.750
H1200D	4.000
H1500D	4.000

PUMP MODEL	PART NUMBER	SHAFT DIAMETER [MM]
1.5x2.5-9 ES	5010-152509-DI/304	24
1.5x2.5-11 ES	5010-152511-DI/304	24
2x2.5-9 ES	5010-202509-DI/304	24
2x2.5-11 ES	5010-202511-DI/304	24
2.5x3-9 ES	5010-253009-DI/304	24
2.5x3-11 ES	5010-253011-DI/304	32
2.5x3-13 ES	5010-253013-DI/304	32
3x4-9 ES	5010-304009-DI/304	32
3x4-11 ES	5010-304011-DI/304	32
3x4-13 ES	5010-304013-DI/304	32
5x6-13 ES	5010-506013-DI/304	32
3x5-10 SC	5040-SC305010-DI/304	35
3x5-15 SC	5040-SC305015-DI/304	35
4x5-12 SC	5040-SC405012-DI/304	35
4x5-13(2) SC	5040-SC405013(2)-DI/304	45
5x6-11 SC	5040-SC506011-DI/304	35
5x6-13 SC	5040-SC506013-DI/304	35
5x6-16 SC	5040-SC506016-DI/304	45
6x8-12 SC	5040-SC608012-DI/304	35
6x8-13A SC	5040-SC608013A-DI/304	45
6x8-13B SC	5040-SC608013B-DI/304	45
6x8-16 SC	5040-SC608016-DI/304	45
6x8-17 SC	5040-SC608017-DI/304	45
6x8-19 SC	5040-SC608019-DI/304	55
6x8-20(2) SC	5040-SC608020(2)-DI/304	65
8x10-14 SC	5040-SC801014-DI/304	65
8x10-18 SC	5040-SC801018-DI/304	55
8x10-20A SC	5040-SC801020A-DI/304	65
8x10-20B SC	5040-SC801020B-DI/304	65
10x12-22 SC	5040-SC101222-DI/304	75
10x12-27 SC	5040-SC101227-DI/304	75
10x14-26 SC	5040-SC101426-DI/304	85
14x16-26 SC	5040-SC141626-DI/304	85
12x16-30 SC	5040-SC121630-DI/304	85
12x16-30 SC	5040-SC121630-DI/304	85