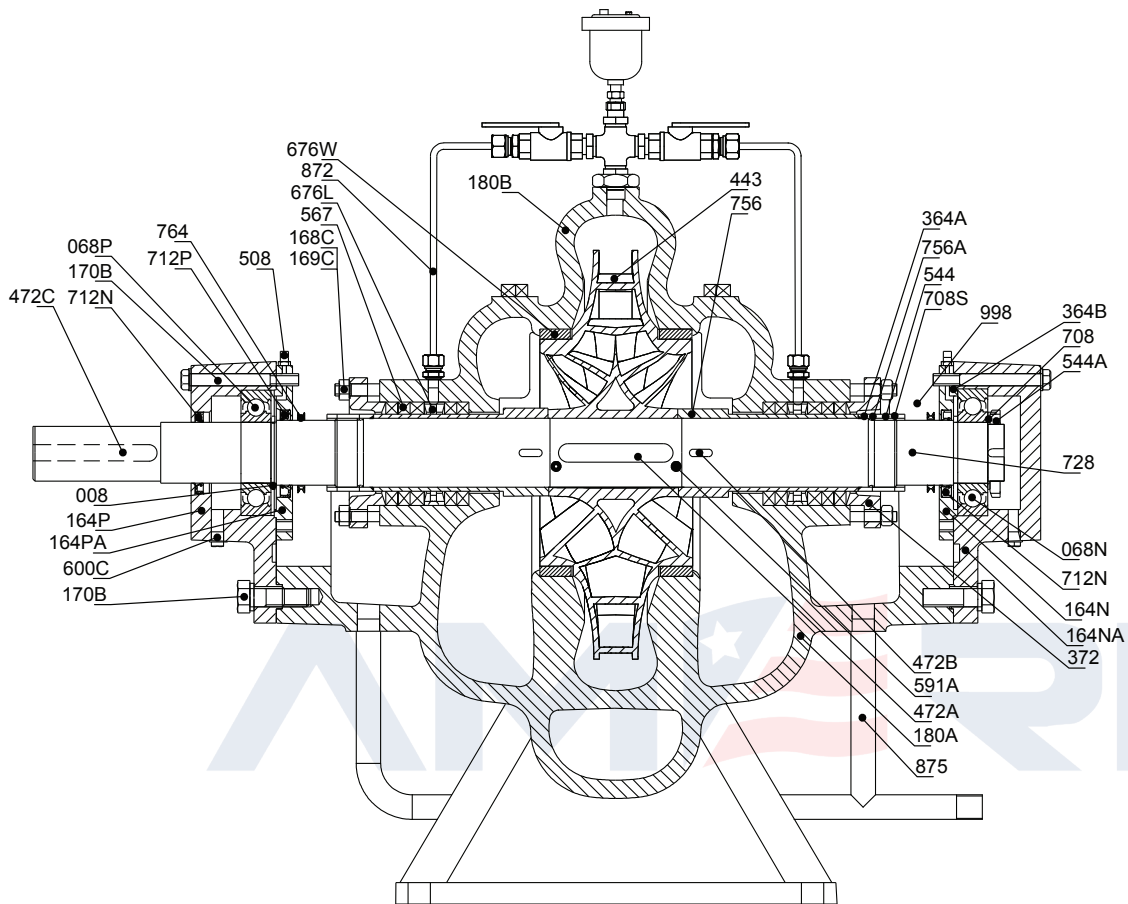


PART NUMBER BREAKDOWN

ITEM	PART NUMBER	DESCRIPTION	QUANTITY	MATERIAL
202-SC101227-070		10x12-27 SC CASING ASSEMBLY	1	DI
168A	168-1024-304	NUT, ACORN, M30	27	304SS
168B	168-0020-304	NUT, M20	2	304SS
169A	169-3090-304	STUD, DOUBLE ENDED, M30x90	27	304SS
170A	170-0510-304	CAPSCREW, M5x10	4	304SS
170B	170-20120-304	CAPSCREW, M20x120	2	304SS
170C	170-2060-304	CAPSCREW, M20x60	6	304SS
170D	170-N0610-304	SCREW, NAMEPLATE, M6x10	2	304SS
180A	170-N0820-304	SCREW, NAMEPLATE, M8x20	2	304SS
180B	180-SC101227A-070	LOWER CASING, 10x12-27 SC	1	DI
364G	180-SC101227B-070	UPPER CASING, 10x12-27 SC	1	DI
364G	364-SC101227A-855	GASKET, CASING, 0.30 MM, 10x12-27 SC	1	FIBRE
532	364-SC101227B-855	GASKET, CASING, 0.30 MM, 10x12-27 SC	1	FIBRE
591	532-TB125-125-030	SUPPORT, NAMEPLATE	1	304SS
591	591-0820-304	PIN, M8x20	4	304SS
595	595-2080-304	JACKSCREW, CASING, M20x80	4	304SS
600C	600-100500-304	PLUG, 0.500 INCH NPT	8	304SS
600C	600-101500-304	PLUG, 1.500 INCH NPT	2	304SS
872	872-101227-304	FLUSH PLAN ASSEMBLY, 0.250 INCH NPT	1	304SS
875	875-101227-104	DRAIN PLAN ASSEMBLY, 0.750 INCH NPT	1	CI
968A	968-1020-304	WASHER, FLAT, M20	6	304SS
968B	968-2030-304	WASHER, LOCK WASHER, M30	27	304SS
998	998-DSZ00-013	GUARD, STUFFING BOX, DSZ-00	2	ALUM

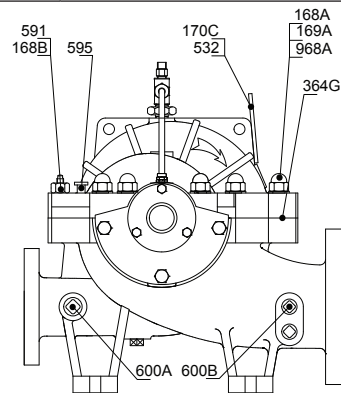


COMPLETE PUMP MODEL DESIGNATION

10x12-27 SC

CASING ASSEMBLY PART NUMBER

202-SC101227-070



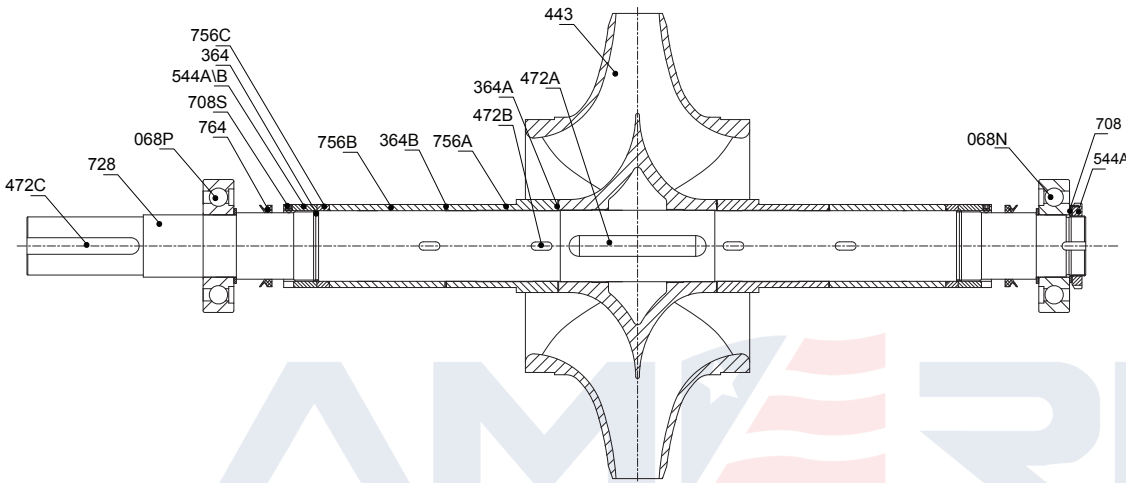
AMERIFLO
4034 MINT WAY, DALLAS, TX 75237

SC FLEX-COUPLED SPLIT CASE

DRAWING NUMBER

SC-101227-PARTS

NOTES:
BOLD ITEMS ARE RECOMMENDED SPARE PARTS.



PART NUMBER BREAKDOWN

ITEM	PART NUMBER	DESCRIPTION	QUANTITY	MATERIAL
702-SC101227RH-304		10x12-27 SC ROTATING ASSEMBLY	1	304SS
168C	168-0012-304	NUT, M12	4	304SS
169C	169-1250-304	STUD, DOUBLE END, M12x50	4	304SS
364	364-80X2.65-605	O-RING, SHAFT SLEEVE, M80x2.65	2	NBR
364A	364-85100-601	GASKET, SHAFT SLEEVE, M85x100	2	TEFLON
364B	364-85128-601	GASKET, SHAFT SLEEVE, M85x128	2	TEFLON
372	372-B2101-70-100-304	GLAND, PACKING, B2101-70-100	2	304SS
443	443-SC101227-304	IMPELLER, 10x12-27 SC	1	304SS
472A	472-100825-304	KEY, M10x8x25	4	304SS
472B	472-2012135-304	KEY, M20x12x1354	1	304SS
472C	472-2514140-304	KEY, M25x14x140	1	304SS
544A	544-85X2A-304	SHAFT SLEEVE NUT, RH, M85x2	1	304SS
544B	544-85X2B-304	SHAFT SLEEVE NUT, LH, M85x2	1	304SS
567	567-1515365-802	PACKING, M15x15x365, SET (6 RINGS)	2	TEFLON
676L	676-B2102-70-100-304	LANTERN RING, B2102-70-100	2	304SS
676W	676-27529535-208	WEAR RING, CASE, M275x295x35	2	BRZ
708S	708-HH0810-304	SETSCREW, M8x10	2	304SS
728	728-SC101227-420	SHAFT, RIGHT HAND, 10x12-27 SC	1	420SS
756A	756-SC101227A-304	SHAFT SLEEVE, SHORT, 10x12-27 SC	2	304SS
756B	756-SC101227B-304	SHAFT SLEEVE, PACKING, 10x12-27 SC	2	304SS
756C	756-SC6010285-304	SHAFT SLEEVE, GLAND, 601.02-85	2	304SS
764	764-VD90A-605	SLINGER, SHAFT, VD80A	2	NBR

COMPLETE PUMP MODEL DESIGNATION

10x12-27 SC

KIT ASSEMBLY

PART NUMBER

OVERHAUL KIT

750-SC101227-304

ROTATING ASSEMBLY

702-SC101227RH-304
702-SC101227LH-304

COMPLETE PUMP PART NUMBER (304SS FITTED)

5030-101227RH-DI/304
5030-101227LH-DI/304

ITEMS INCLUDED

168C, 169C, 364, 364B, 364G, 372, 472A, 472B, 472C, 544A, 544B,
567, 676L, 708S, 756, 756A, 756B, 764

168C, 169C, 364, 364B, 364G, 372, 443, 472A, 472B, 472C, 544A,
544B, 567, 676L, 676W, 708S, 728, 756, 756A, 756B, 764,

705-207-6309A-030 , 705-307-6309A-030

MODULE 75

AMERIFLO
4034 MINT WAY, DALLAS, TX 75237

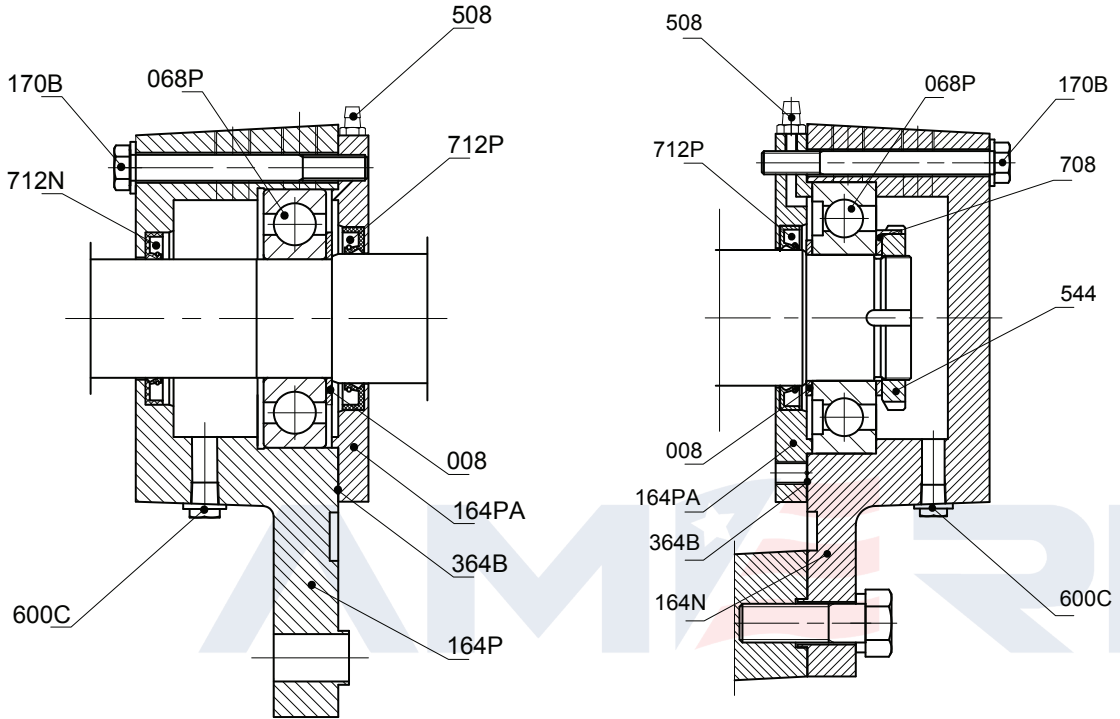
SC FLEX-COUPLED SPLIT CASE

DRAWING NUMBER

SC-101222-MOD75

NOTES:

BOLD ITEMS ARE RECOMMENDED SPARE PARTS.



COMPLETE PUMP MODEL DESIGNATION

10x12-27 SC

COMPLETE PUMP PART NUMBER (304SS FITTED)

5030-101227-DI/304

NOTES:
BOLD ITEMS ARE RECOMMENDED SPARE PARTS.

PART NUMBER BREAKDOWN

ITEM	PART NUMBER	DESCRIPTION	QUANTITY	MATERIAL
705-207-6315A-030		6315A BRG HOUSING ASSEMBLY, IN	1	DI/304
008	008-6315-104	BEARING, SHIM, 6315	1	STL
068	068-6315-104	BEARING, 6315	1	STL
164P	164-207-6315A-030	BEARING ARM, INBOARD, 6315A	1	CI
164PA	164-6315A-030	BEARING HOUSING CAP, 6315A	1	CI
170B	170-12110-304	CAPSCREW, M12x110	3	304SS
364	364-160205-855	GASKET, MANILLA, 0.30 MM, M160x205	1	MAN
508	508-5000-104	GREASE FITTING, M6x1	1	STL
600C	600-100250-304	PLUG, 0.250 INCH NPT	1	304SS
600C	600-100500-304	PLUG, 0.500 INCH NPT	1	304SS
605	605-100500-304	VENT PLUG, 0.500 INCH NPT	1	304SS
712N	712-7510010-605	LIP SEAL, M75x100x10	1	NBR
712P	712-8010510-605	LIP SEAL, M80x105x10	1	NBR
968	968-1012-304	WASHER, FLAT, M12	3	304SS
705-307-6315A-030		6315A BRG HOUSING ASSEMBLY, OUT	1	CI
008	008-6315-104	BEARING, SHIM, 6315	1	STL
068	068-6315-104	BEARING, 6313	1	STL
164N	164-307-6315A-030	BEARING ARM, INBOARD, 6315A	1	CI
164P	164-6315A-030	BEARING HOUSING CAP, 6315A	1	CI
170B	170-12110-304	CAPSCREW, M12x110	3	304SS
364	364-160205-855	GASKET, MANILLA, 0.30 MM, M160x205	1	MAN
508	508-5000-104	GREASE FITTING, M6x1	1	STL
544	544-M7220-104	LOCKNUT, BEARING, M72x2	1	STL
600C	600-100250-304	PLUG, 0.250 INCH NPT	1	304SS
600C	600-100375-030	PLUG, 0.500 INCH NPT	1	304SS
605	605-100500-304	VENT PLUG, 0.500 INCH NPT	1	304SS
708	708-0072-104	LOCKWASHER, BEARING, M72	1	STL
712	712-8010510-605	LIP SEAL, M80x105x10	1	NBR
968	968-1012-304	WASHER, FLAT, M12	3	304SS

AMERIFLO
4034 MINT WAY, DALLAS, TX 75237

SC BEARING HOUSING ASSEMBLIES

DRAWING NUMBER
SC-6315A-PARTS