

PART NUMBER BREAKDOWN

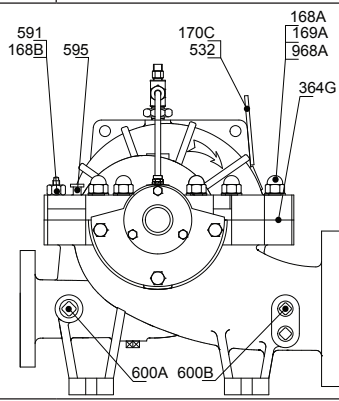
ITEM	PART NUMBER	DESCRIPTION	QUANTITY	MATERIAL
202-SC101426-070		10x14-26 SC CASING ASSEMBLY	1	DI
168A	168-1024-304	NUT, ACORN, M30	27	304SS
168B	168-0020-304	NUT, M20	2	304SS
169A	169-3095-304	STUD, DOUBLE ENDED, M30x95	27	304SS
170A	170-0510-304	CAPSCREW, M5x10	4	304SS
170B	170-20120-304	CAPSCREW, M20x120	2	304SS
170C	170-2065-304	CAPSCREW, M20x65	6	304SS
170D	170-N0610-304	SCREW, NAMEPLATE, M6x10	2	304SS
170E	170-N0820-304	SCREW, NAMEPLATE, M8x20	2	304SS
180A	180-SC101426A-070	LOWER CASING, 10x14-26 SC	1	DI
180B	180-SC101426B-070	UPPER CASING, 10x14-26 SC	1	DI
364G	364-SC101426A-855	GASKET, CASING, 0.30 MM, 10x14-26 SC	1	FIBRE
364G	364-SC101426B-855	GASKET, CASING, 0.30 MM, 10x14-26 SC	1	FIBRE
532	532-TB125-125-030	SUPPORT, NAMEPLATE	1	304SS
591	591-0820-304	PIN, M8x20	4	304SS
595	595-2080-304	JACKSCREW, CASING, M20x80	4	304SS
600C	600-100500-304	PLUG, 0.500 INCH NPT	8	304SS
600C	600-101500-304	PLUG, 1.500 INCH NPT	2	304SS
872	872-101426-304	FLUSH PLAN ASSEMBLY, 0.250 INCH NPT	1	304SS
875	875-101426-104	DRAIN PLAN ASSEMBLY, 0.750 INCH NPT	1	CI
968A	968-1020-304	WASHER, FLAT, M20	6	304SS
968B	968-2030-304	WASHER, LOCK WASHER, M30	27	304SS
998	998-DSZ00-013	GUARD, STUFFING BOX, DSZ-00	2	ALUM

COMPLETE PUMP MODEL DESIGNATION

10x14-26 SC

CASING ASSEMBLY PART NUMBER

202-SC101426-070

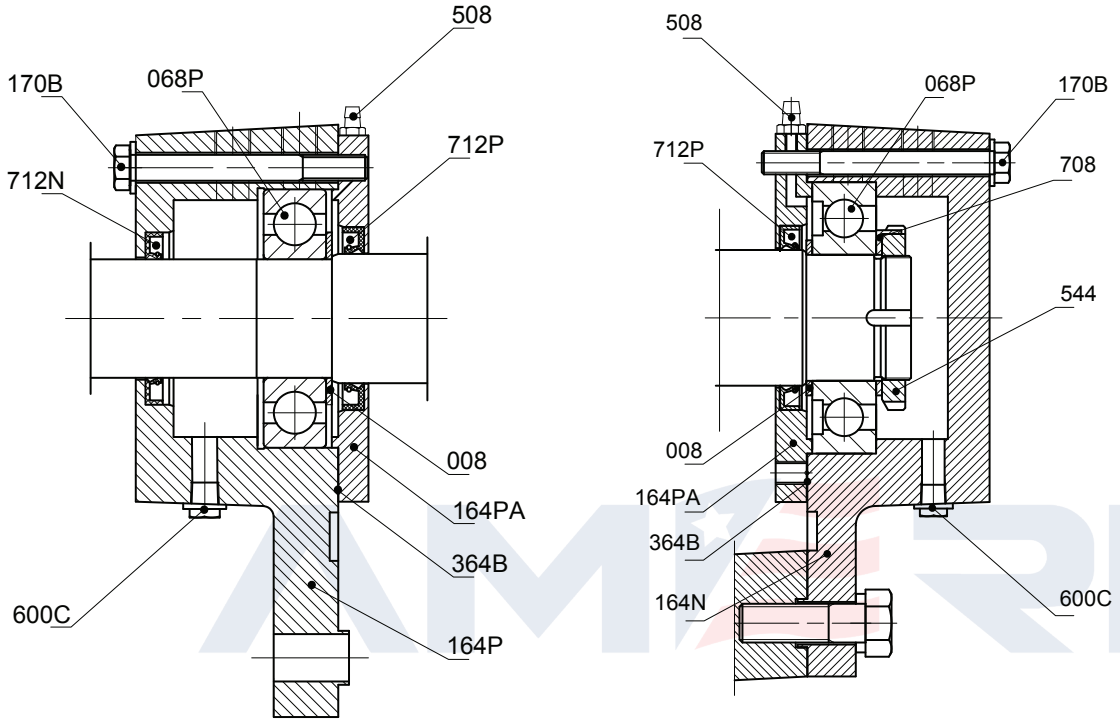


AMERIFLO
4034 MINT WAY, DALLAS, TX 75237

SC FLEX-COUPLED SPLIT CASE

DRAWING NUMBER
SC-101426-PARTS

NOTES:
BOLD ITEMS ARE RECOMMENDED SPARE PARTS.



COMPLETE PUMP MODEL DESIGNATION

10x14-26 SC

COMPLETE PUMP PART NUMBER (304SS FITTED)

5030-101426-DI/304

NOTES:
BOLD ITEMS ARE RECOMMENDED SPARE PARTS.

PART NUMBER BREAKDOWN

ITEM	PART NUMBER	DESCRIPTION	QUANTITY	MATERIAL
705-207-6317-030		63157 BRG HOUSING ASSEMBLY, IN	1	DI/304
008	008-6317-104	BEARING, SHIM, 6317	1	STL
068	068-6317-104	BEARING, 6317	1	STL
164P	164-207-6317-030	BEARING ARM, INBOARD, 6317	1	CI
164PA	164-6317-030	BEARING HOUSING CAP, 6317	1	CI
170B	170-1645-304	CAPSCREW, M16x45	3	304SS
364	364-180260-855	GASKET, MANILLA, 0.30 MM, M180x260	1	MAN
508	508-5000-104	GREASE FITTING, M6x1	1	STL
600C	600-100250-304	PLUG, 0.250 INCH NPT	1	304SS
600C	600-100500-304	PLUG, 0.500 INCH NPT	1	304SS
605	605-100500-304	VENT PLUG, 0.500 INCH NPT	1	304SS
712N	712-8511012-605	LIP SEAL, M85x110x12	1	NBR
712P	712-9012012-605	LIP SEAL, M90x120x12	1	NBR
968	968-1016-304	WASHER, FLAT, M16	3	304SS
705-307-6317-030		6317 BRG HOUSING ASSEMBLY, OUT	1	CI
008	008-6317-104	BEARING, SHIM, 6317	1	STL
068	068-6317-104	BEARING, 6317	1	STL
164N	164-307-6317-030	BEARING ARM, INBOARD, 6317	1	CI
164P	164-6317-030	BEARING HOUSING CAP, 6317	1	CI
170B	170-1645-304	CAPSCREW, M16x45	3	304SS
364	364-160205-855	GASKET, MANILLA, 0.30 MM, M160x205	1	MAN
508	508-5000-104	GREASE FITTING, M6x1	1	STL
544	544-M8520-104	LOCKNUT, BEARING, M85x2	1	STL
600C	600-100250-304	PLUG, 0.250 INCH NPT	1	304SS
600C	600-100375-304	PLUG, 0.500 INCH NPT	1	304SS
605	605-100500-304	VENT PLUG, 0.500 INCH NPT	1	304SS
708	708-0085-104	LOCKWASHER, BEARING, M85	1	STL
712	712-9012012-605	LIP SEAL, M90x120x12	1	NBR
968	968-1016-304	WASHER, FLAT, M16	3	304SS

AMERIFLO
4034 MINT WAY, DALLAS, TX 75237

SC BEARING HOUSING ASSEMBLIES

DRAWING NUMBER
SC-6317-PARTS