

PART NUMBER BREAKDOWN

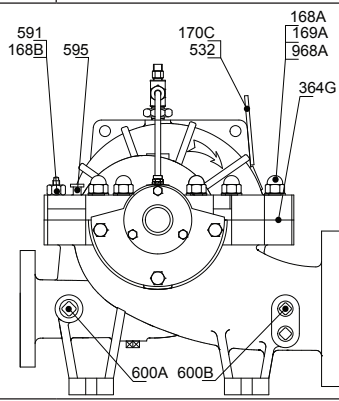
ITEM	PART NUMBER	DESCRIPTION	QUANTITY	MATERIAL
202-SC121630-070		12x16-30 SC CASING ASSEMBLY	1	DI
168A	168-1024-304	NUT, ACORN, M30	29	304SS
168B	168-0020-304	NUT, M20	2	304SS
169A	169-30100-304	STUD, DOUBLE ENDED, M30x100	38	304SS
170A	170-0510-304	CAPSCREW, M5x10	4	304SS
170B	170-20100-304	CAPSCREW, M20x100	2	304SS
170C	170-2065-304	CAPSCREW, M20x65	6	304SS
170D	170-N0610-304	SCREW, NAMEPLATE, M6x10	2	304SS
170E	170-N0820-304	SCREW, NAMEPLATE, M8x20	2	304SS
180A	180-SC121630A-070	LOWER CASING, 12x16-30 SC	1	DI
180B	180-SC121630B-070	UPPER CASING, 12x16-30 SC	1	DI
364G	364-SC121630A-855	GASKET, CASING, 0.30 MM, 12x16-30 SC	1	FIBRE
364G	364-SC121630B-855	GASKET, CASING, 0.30 MM, 12x16-30 SC	1	FIBRE
532	532-TB125-125-030	SUPPORT, NAMEPLATE	1	304SS
591	591-0820-304	PIN, M8x20	2	304SS
595	595-2080-304	JACKSCREW, CASING, M20x80	4	304SS
600C	600-100500-304	PLUG, 0.500 INCH NPT	7	304SS
600C	600-101500-304	PLUG, 1.500 INCH NPT	2	304SS
872	872-121630-304	FLUSH PLAN ASSEMBLY, 0.250 INCH NPT	1	304SS
875	875-121630-104	DRAIN PLAN ASSEMBLY, 0.750 INCH NPT	1	CI
968A	968-1020-304	WASHER, FLAT, M20	6	304SS
968B	968-2030-304	WASHER, LOCK WASHER, M30	38	304SS
998	998-DSZ00-013	GUARD, STUFFING BOX, DSZ-00	2	ALUM

COMPLETE PUMP MODEL DESIGNATION

12x16-30 SC

CASING ASSEMBLY PART NUMBER

202-SC121630-070

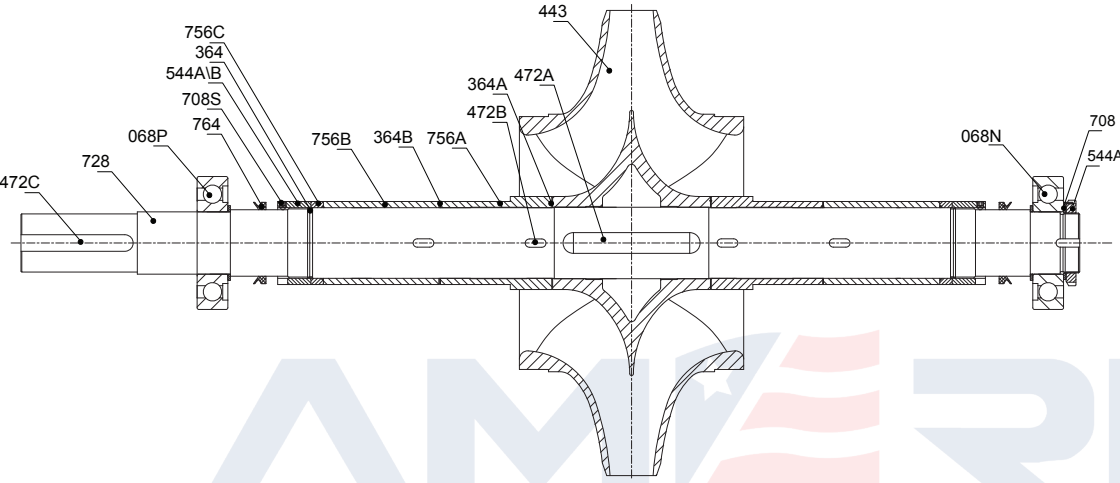


AMERIFLO
4034 MINT WAY, DALLAS, TX 75237

SC FLEX-COUPLED SPLIT CASE

DRAWING NUMBER
SC-121630-PARTS

NOTES:
BOLD ITEMS ARE RECOMMENDED SPARE PARTS.



PART NUMBER BREAKDOWN

ITEM	PART NUMBER	DESCRIPTION	QUANTITY	MATERIAL
702-SC121630RH-304		12x16-30 SC ROTATING ASSEMBLY	1	304SS
168C	168-0016-304	NUT, M16	4	304SS
169C	169-1660-304	STUD, DOUBLE END, M16x60	4	304SS
364	364-90X2.65-605	O-RING, SHAFT SLEEVE, M90x2.65	2	NBR
364A	364-95110-601	GASKET, SHAFT SLEEVE, M95x110	2	TEFLON
364B	364-95170-601	GASKET, SHAFT SLEEVE, M95x170	2	TEFLON
372	372-B2101-66-110-304	GLAND, PACKING, B2101-66-110	2	304SS
443	443-SC121630-304	IMPELLER, 12x16-30 SC	1	304SS
472A	472-100825-304	KEY, M10x8x25	4	304SS
472B	472-2214160-304	KEY, M22x14x160	1	304SS
472C	472-2816170-304	KEY, M28x16x170	1	304SS
544A	544-95X2A-304	SHAFT SLEEVE NUT, RH, M95x2	1	304SS
544B	544-95X2B-304	SHAFT SLEEVE NUT, LH, M95x2	1	304SS
567	567-2020405-802	PACKING, M20x20x405, SET (6 RINGS)	2	TEFLON
676L	676-B2102-66-110-304	LANTERN RING, B2102-66-110	2	304SS
676W	676-36038035-208	WEAR RING, CASE, M360x380x35	2	BRZ
708S	708-HH0810-304	SETSCREW, M8x10	2	304SS
728	728-SC121630-420	SHAFT, RIGHT HAND, 12x16-30 SC	1	420SS
756A	756-SC121630A-304	SHAFT SLEEVE, SHORT, 12x16-30 SC	2	304SS
756B	756-SC121630B-304	SHAFT SLEEVE, PACKING, 12x16-30 SC	2	304SS
756C	756-SC6010295-304	SHAFT SLEEVE, GLAND, 601.02-95	2	304SS
764	764-VD90A-605	SLINGER, SHAFT, VD90A	2	NBR

COMPLETE PUMP MODEL DESIGNATION

12x16-30 SC

COMPLETE PUMP PART NUMBER (304SS FITTED)

5030-121630RH-DI/304
5030-121630LH-DI/304

ITEMS INCLUDED

- 168C, 169C, 364, 364B, 364G, 372, 472A, 472B, 472C, 544A, 544B, 567, 676L, 708S, 756, 756A, 756B, 764
- 168C, 169C, 364, 364B, 364G, 372, 443, 472A, 472B, 472C, 544A, 544B, 567, 676L, 676W, 708S, 728, 756, 756A, 756B, 764,
- 705-207-6309A-030 , 705-307-6309A-030

MODULE 85

AMERIFLO
 4034 MINT WAY, DALLAS, TX 75237

SC FLEX-COUPLED SPLIT CASE

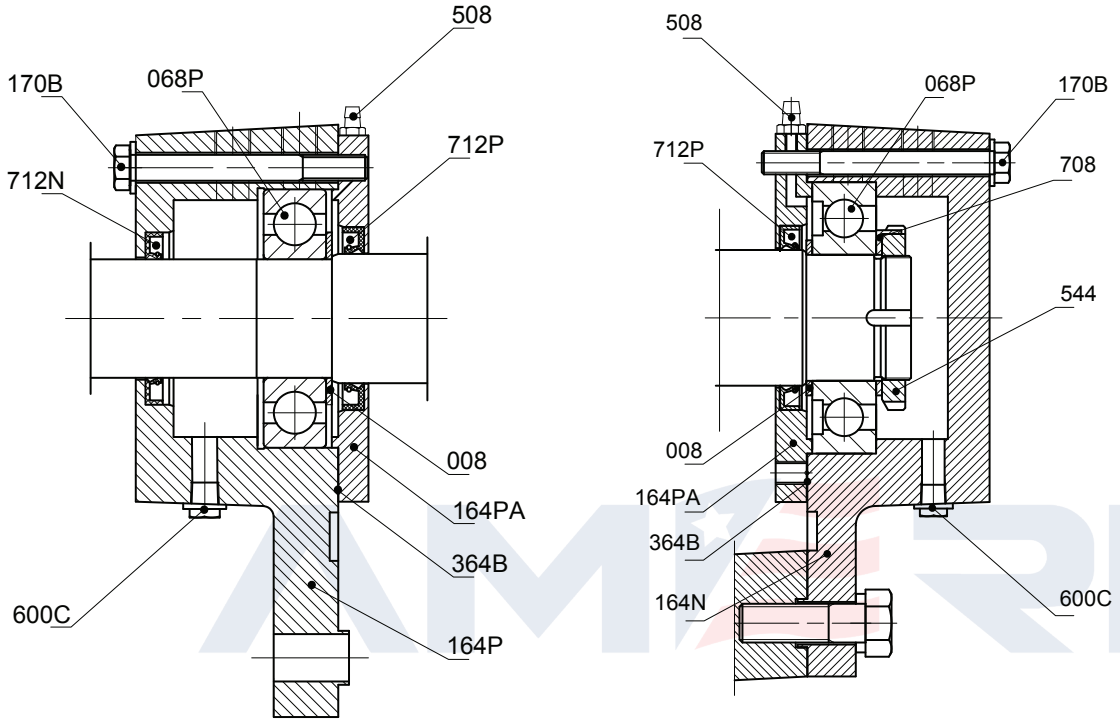
DRAWING NUMBER
 SC-121630-MOD85

NOTES:
 BOLD ITEMS ARE RECOMMENDED SPARE PARTS.

KIT ASSEMBLY **PART NUMBER**

OVERHAUL KIT **750-SC101426-304**

ROTATING ASSEMBLY **702-SC101426RH-304**
702-SC101426LH-304



COMPLETE PUMP MODEL DESIGNATION

12x16-30 SC

COMPLETE PUMP PART NUMBER (304SS FITTED)

5030-121630-DI/304

NOTES:
BOLD ITEMS ARE RECOMMENDED SPARE PARTS.

PART NUMBER BREAKDOWN

ITEM	PART NUMBER	DESCRIPTION	QUANTITY	MATERIAL
705-207-6317-030		63157 BRG HOUSING ASSEMBLY, IN	1	DI/304
008	008-6317-104	BEARING, SHIM, 6317	1	STL
068	068-6317-104	BEARING, 6317	1	STL
164P	164-207-6317-030	BEARING ARM, INBOARD, 6317	1	CI
164PA	164-6317-030	BEARING HOUSING CAP, 6317	1	CI
170B	170-1645-304	CAPSCREW, M16x45	3	304SS
364	364-180260-855	GASKET, MANILLA, 0.30 MM, M180x260	1	MAN
508	508-5000-104	GREASE FITTING, M6x1	1	STL
600C	600-100250-304	PLUG, 0.250 INCH NPT	1	304SS
600C	600-100500-304	PLUG, 0.500 INCH NPT	1	304SS
605	605-100500-304	VENT PLUG, 0.500 INCH NPT	1	304SS
712N	712-8511012-605	LIP SEAL, M85x110x12	1	NBR
712P	712-9012012-605	LIP SEAL, M90x120x12	1	NBR
968	968-1016-304	WASHER, FLAT, M16	3	304SS
705-307-6317-030		6317 BRG HOUSING ASSEMBLY, OUT	1	CI
008	008-6317-104	BEARING, SHIM, 6317	1	STL
068	068-6317-104	BEARING, 6317	1	STL
164N	164-307-6317-030	BEARING ARM, INBOARD, 6317	1	CI
164P	164-6317-030	BEARING HOUSING CAP, 6317	1	CI
170B	170-1645-304	CAPSCREW, M16x45	3	304SS
364	364-160205-855	GASKET, MANILLA, 0.30 MM, M160x205	1	MAN
508	508-5000-104	GREASE FITTING, M6x1	1	STL
544	544-M8520-104	LOCKNUT, BEARING, M85x2	1	STL
600C	600-100250-304	PLUG, 0.250 INCH NPT	1	304SS
600C	600-100375-304	PLUG, 0.500 INCH NPT	1	304SS
605	605-100500-304	VENT PLUG, 0.500 INCH NPT	1	304SS
708	708-0085-104	LOCKWASHER, BEARING, M85	1	STL
712	712-9012012-605	LIP SEAL, M90x120x12	1	NBR
968	968-1016-304	WASHER, FLAT, M16	3	304SS

AMERIFLO
4034 MINT WAY, DALLAS, TX 75237

SC BEARING HOUSING ASSEMBLIES

DRAWING NUMBER
SC-6317-PARTS