

PART NUMBER BREAKDOWN

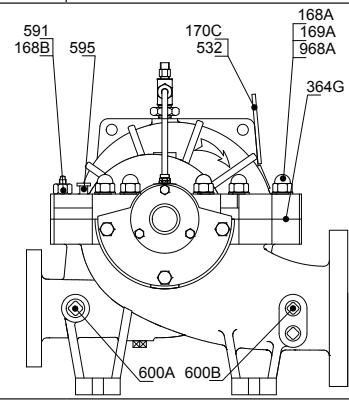
ITEM	PART NUMBER	DESCRIPTION	QUANTITY	MATERIAL
202-SC506010-304		5x6-10 SC CASING ASSEMBLY	1	DI
168A	168-0012-304	NUT, M12	2	304SS
168B	168-1016-304	NUT, ACORN, M16	20	304SS
169A	169-1645-304	STUD, DOUBLE ENDED, M16x45	20	304SS
170A	170-0510-304	CAPSCREW, M5x10	4	304SS
170B	170-1650-304	CAPSCREW, M16x50	6	304SS
170C	170-N0820-304	SCREW, NAMEPLATE, M8x20	2	304SS
180A	180-SC506010A-070	LOWER CASING, 5x6-10 SC	1	DI
180B	180-SC506010B-070	UPPER CASING, 5x6-10 SC	1	DI
364G	364-SC506010A-855	GASKET, CASING, 0.30 MM, 5x6-10 SC	1	FIBRE
364G	364-SC506010B-855	GASKET, CASING, 0.30 MM, 5x6-10 SC	1	FIBRE
532	532-TB125-125-030	SUPPORT, NAMEPLATE	1	DI
591	591-0816-304	PIN, M8x16	4	304SS
591	591-1285-304	PIN, M12x85	2	304SS
595	595-1260-304	JACKSCREW, CASING, M12x60	4	304SS
600C	600-10500-304	PLUG, 0.500 INCH NPT	5	304SS
600C	600-10750-304	PLUG, 0.750 INCH NPT	2	304SS
872	872-SC506011-304	FLUSH PLAN ASSEMBLY, 0.250 INCH NPT	1	304SS
875	875-SC506011-104	DRAIN PLAN ASSEMBLY, 0.750 INCH NPT	1	CI
968A	968-1016-304	WASHER, FLAT, M16	19	304SS
968B	968-2016-304	WASHER, LOCK WASHER, M16	6	304SS
998	998-DSZ00-013	GUARD, STUFFING BOX, DSZ-00	2	ALUM

COMPLETE PUMP MODEL DESIGNATION

5x6-10 SC

CASING ASSEMBLY PART NUMBER

202-SC506010-070



AMERIFLO
4034 MINT WAY, DALLAS, TX 75237

SC FLEX-COUPLED SPLIT CASE

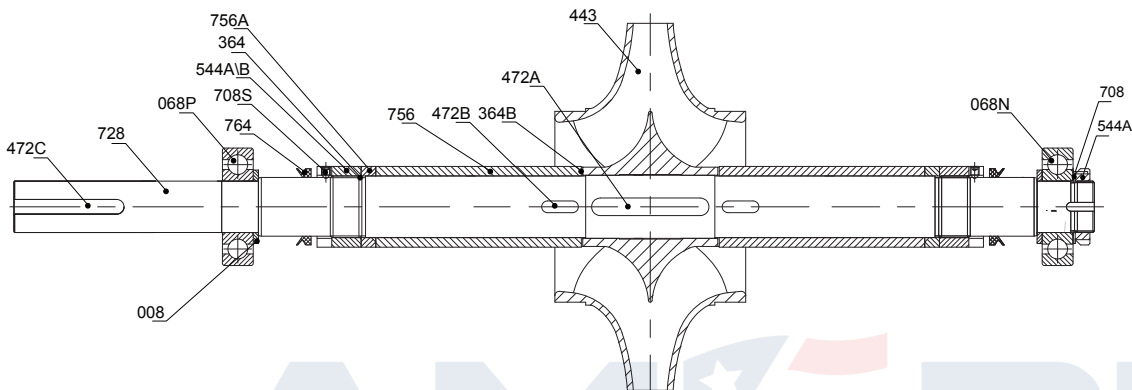
DRAWING NUMBER

SC-506010-PARTS

NOTES:
BOLD ITEMS ARE RECOMMENDED SPARE PARTS.

PART NUMBER BREAKDOWN

ITEM	PART NUMBER	DESCRIPTION	QUANTITY	MATERIAL
702-SC506010RH-304		5x6-10 SC ROTATING ASSEMBLY	1	304SS
168C	168-0010-304	NUT, M10	4	304SS
169C	169-1035-304	STUD, DOUBLE END, M10x35	4	304SS
364	364-35.5X2.65-605	O-RING, SHAFT SLEEVE, M35.5x2.65	2	NBR
364B	364-36X52-601	GASKET, SHAFT SLEEVE, M36x52	2	TEFLON
372	372-B2101-66-45-208	GLAND, PACKING, B2101-66-45	2	BRONZE
443	443-SC506010-304	IMPELLER, 5x6-10 SC	1	304SS
472A	472-080755-304	KEY, M8x7x55	2	304SS
472B	472-1008100-304	KEY, M10x8x100	1	304SS
544A	544-36X1.5A-304	SHAFT SLEEVE NUT, RH, M36x1.5	1	304SS
544B	544-36X1.5B-304	SHAFT SLEEVE NUT, LH, M36x1.5	1	304SS
567	567-1010205-802	PACKING, M10x10x205, SET (6 RINGS)	2	304SS
676L	676-B2102-70-45-304	LANTERN RING, B2102-70-45	2	TEFLON
676W	676-15517015-208	WEAR RING, CASE, M155x170x15	2	BRONZE
708S	708-HH0506-304	SETSCREW, M5x6	6	304SS
728	728-SC506010RH-420	SHAFT, RIGHT HAND, 5x6-10 SC	1	304SS
756	756-SC506010-304	SHAFT SLEEVE, PACKING, 5x6-10 SC	2	420SS
756A	756-SC8010245-304	SHAFT SLEEVE, GLAND, 601.02-45	2	304SS
764	764-VD30A-605	SLINGER, SHAFT, VD30A	2	304SS



COMPLETE PUMP MODEL DESIGNATION

5x6-10 SC

COMPLETE PUMP PART NUMBER (304SS FITTED)

5030-506010RH-DI/304
5030-506010LH-DI/304

KIT ASSEMBLY	PART NUMBER
OVERHAUL KIT	750-SC506010-304
ROTATING ASSEMBLY	702-SC506010RH-304 702-SC506010LH-304

ITEMS INCLUDED
168C, 169C, 364, 364B, 364G, 372, 472A, 472B, 472C, 544A, 544B, 567, 676L, 708S, 756, 756A, 764
168C, 169C, 364, 364B, 364G, 372, 443, 472A, 472B, 472C, 544A, 544B, 567, 676L, 676W, 708S, 728, 756, 756A, 764, 705-207-307-030, 705-307-6307-030

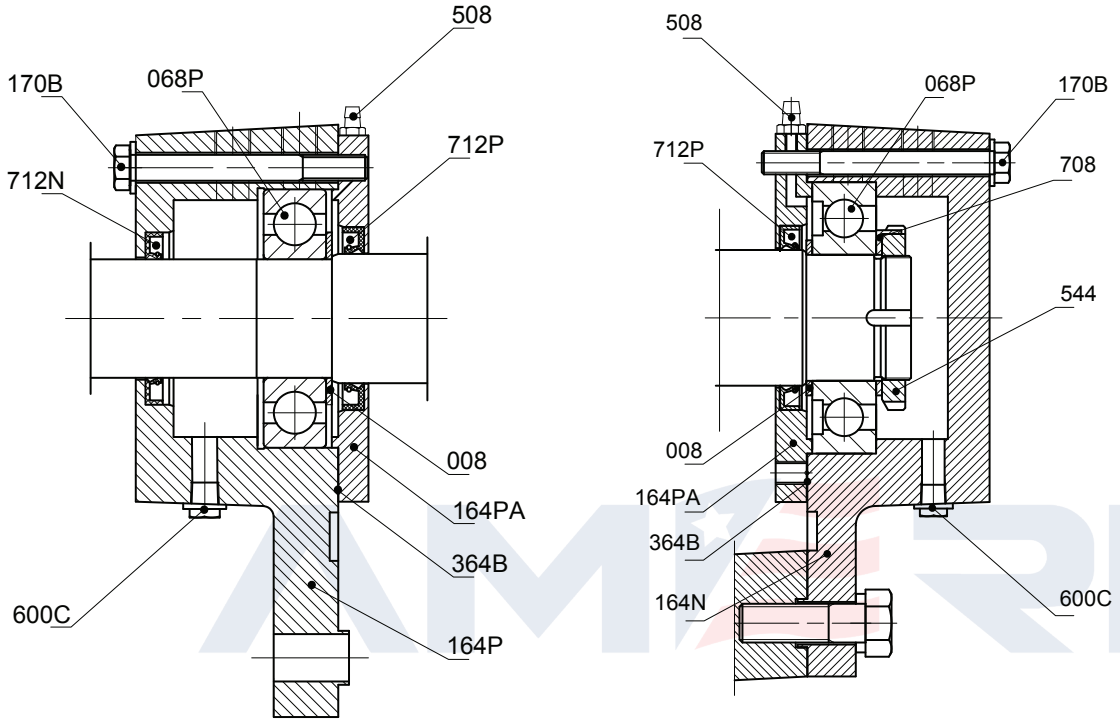
MODULE 28

AMERIFLO
4034 MINT WAY, DALLAS, TX 75237

SC FLEX-COUPLED SPLIT CASE

DRAWING NUMBER
SC-506010-MOD28

NOTES:
BOLD ITEMS ARE RECOMMENDED SPARE PARTS.



COMPLETE PUMP MODEL DESIGNATION

5x6-10 SC

COMPLETE PUMP PART NUMBER (304SS FITTED)

5030-506010-DI/304

NOTES:
BOLD ITEMS ARE RECOMMENDED SPARE PARTS.

PART NUMBER BREAKDOWN

ITEM	PART NUMBER	DESCRIPTION	QUANTITY	MATERIAL
705-207-6306-030		6306 BRG HOUSING ASSEMBLY, IN	1	DI/304
008	008-6306-104	BEARING, SHIM, 6306	2	STL
068	068-6306-104	BEARING, SKF 6306	1	STL
164P	164-207-6306-030	BEARING ARM, INBOARD, 6306	1	CI
164PA	164-6306-030	BEARING HOUSING CAP, 6306	1	CI
170B	170-0870-304	CAPSCREW, M8x70	3	304SS
364	364-10570-855	GASKET, MANILLA, 0.30 MM, M105x72	1	MAN
508	508-5000-104	GREASE FITTING, M6x1	1	STL
600C	600-100250-304	PLUG, 0.250 INCH NPT	1	304SS
600C	600-100375-304	PLUG, 0.375 INCH NPT	1	304SS
605	605-100375-304	VENT PLUG, 0.375 INCH NPT	1	304SS
712P	712-334808-605	LIP SEAL, M33x48x8	1	NBR
968	968-1008-304	WASHER, FLAT, M8	3	304SS
705-307-6306-030		6306 BRG HOUSING ASSEMBLY, OUT	1	CI
008	008-6306-104	BEARING, SHIM, 6306	1	STL
068	068-6306-104	BEARING, 6306	1	STL
164N	164-307-6306-030	BEARING ARM, INBOARD, 6306	1	CI
164P	164-6306-030	BEARING HOUSING CAP, 6306	1	CI
170B	170-0870-304	CAPSCREW, M8x70	3	304SS
364	364-10570-855	GASKET, MANILLA, 0.30 MM, M105x72	1	MAN
508	508-5000-104	GREASE FITTING, M6x1	1	STL
544	544-M3015-104	LOCKNUT, BEARING, M30x1.5	1	STL
600C	600-100250-304	PLUG, 0.250 INCH NPT	1	304SS
600C	600-100375-304	PLUG, 0.375 INCH NPT	1	304SS
605	605-100375-304	VENT PLUG, 0.375 INCH NPT	1	304SS
708	708-0030-104	LOCKWASHER, BEARING, M30	1	STL
712	712-334808-605	LIP SEAL, M33x48x8	1	NBR
968	968-1008-304	WASHER, FLAT, M8	3	304SS

AMERIFLO
4034 MINT WAY, DALLAS, TX 75237

SC BEARING HOUSING ASSEMBLIES

DRAWING NUMBER
SC-6306-PARTS