

PART NUMBER BREAKDOWN

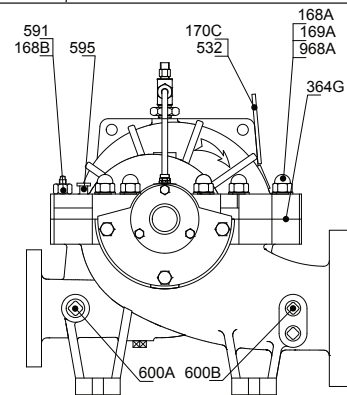
ITEM	PART NUMBER	DESCRIPTION	QUANTITY	MATERIAL
202-SC506011-304		5x6-11 SC CASING ASSEMBLY	1	DI
168A	168-1020-304	NUT, ACORN, M20	19	304SS
168B	168-0012-304	NUT, M12	2	304SS
169A	169-2065-304	STUD, DOUBLE ENDED, M20x65	19	304SS
170A	170-0510-304	CAPSCREW, M5x10	4	304SS
170B	170-1655-304	CAPSCREW, M16x55	6	304SS
170C	170-N0820-304	SCREW, NAMEPLATE, M8x20	2	304SS
180A	180-SC506011A-070	LOWER CASING, 5x6-11 SC	1	DI
180B	180-SC506011B-070	UPPER CASING, 5x6-11 SC	1	DI
364G	364-SC506011A-855	GASKET, CASING, 0.30 MM, 5x6-11 SC	1	FIBRE
364G	364-SC506011B-855	GASKET, CASING, 0.30 MM, 5x6-11 SC	1	FIBRE
532	532-TB125-125-030	SUPPORT, NAMEPLATE	1	DI
591	591-0820-304	PIN, M8x20	2	304SS
591	591-12100-304	PIN, M12x100	2	304SS
595	595-1260-304	JACKSCREW, CASING, M12x60	4	304SS
600C	600-10500-304	PLUG, 0.500 INCH NPT	8	304SS
600C	600-10750-304	PLUG, 0.750 INCH NPT	2	304SS
872	872-SC506011-304	FLUSH PLAN ASSEMBLY, 0.250 INCH NPT	1	304SS
875	875-SC506011-104	DRAIN PLAN ASSEMBLY, 0.750 INCH NPT	1	CI
968A	968-1020-304	WASHER, FLAT, M20	19	304SS
968B	968-2016-304	WASHER, LOCK WASHER, M16	6	304SS
998	998-DSZ00-013	GUARD, STUFFING BOX, DSZ-00	2	ALUM

COMPLETE PUMP MODEL DESIGNATION

5x6-11 SC

CASING ASSEMBLY PART NUMBER

202-SC506011-070



AMERIFLO
4034 MINT WAY, DALLAS, TX 75237

SC FLEX-COUPLED SPLIT CASE

DRAWING NUMBER

SC-506011-PARTS

NOTES:

BOLD ITEMS ARE RECOMMENDED SPARE PARTS.



PART NUMBER BREAKDOWN

ITEM	PART NUMBER	DESCRIPTION	QUANTITY	MATERIAL
702-SC506011RH-304		5x6-11 SC ROTATING ASSEMBLY	1	304SS
168C	168-0010-304	NUT, M10	4	304SS
169C	169-1040-304	STUD, DOUBLE END, M10x40	4	304SS
364	364-38.7X2.65-605	O-RING, SHAFT SLEEVE, M38.7x2.65	2	NBR
364B	364-42X63-601	GASKET, SHAFT SLEEVE, M42x63	2	TEFLON
372	372-B2101-66-55-304	GLAND, PACKING, B2101-66-55	2	304SS
443	443-SC506011-304	IMPELLER, 5x6-11 SC	1	304SS
472A	472-080725-304	KEY, M8x7x25	2	304SS
472B	472-100875-304	KEY, M10x8x75	1	304SS
472C	472-120880-304	KEY, M12x8x80	1	304SS
544A	544-42X1.5A-304	SHAFT SLEEVE NUT, RH, M42x1.5	1	304SS
544B	544-42X1.5B-304	SHAFT SLEEVE NUT, LH, M42x1.5	1	304SS
567	567-1010205-802	PACKING, M10x10x205, SET (6 RINGS)	2	TEFLON
676L	676-B2102-70-55-304	LANTERN RING, B2102-70-55	2	304SS
676W	676-16017522-208	WEAR RING, CASE, M160x175x22	2	BRZ
708S	708-HH0608-304	SETSCREW, M6x8	2	304SS
728	728-SC506011RH-420	SHAFT, RIGHT HAND, 5x6-11 SC	1	420SS
756	756-SC506011-304	SHAFT SLEEVE, PACKING, 5x6-11 SC	2	304SS
756A	756-SC8010255-304	SHAFT SLEEVE, GLAND, 601.02-55	2	304SS
764	764-VD40A-605	SLINGER, SHAFT, VD40A	2	NBR

COMPLETE PUMP MODEL DESIGNATION

5x6-11 SC

COMPLETE PUMP PART NUMBER (304SS FITTED)

5030-506011RH-DI/304
5030-506011LH-DI/304

ITEMS INCLUDED

- 168C, 169C, 364, 364B, 364G, 372, 472A, 472B, 472C, 544A, 544B, 567, 676L, 708S, 756, 756A, 764
- 168C, 169C, 364, 364B, 364G, 372, 443, 472A, 472B, 472C, 544A, 544B, 567, 676L, 676W, 708S, 728, 756, 756A, 764, 705-207-307-030, 705-307-6307-030

MODULE 35

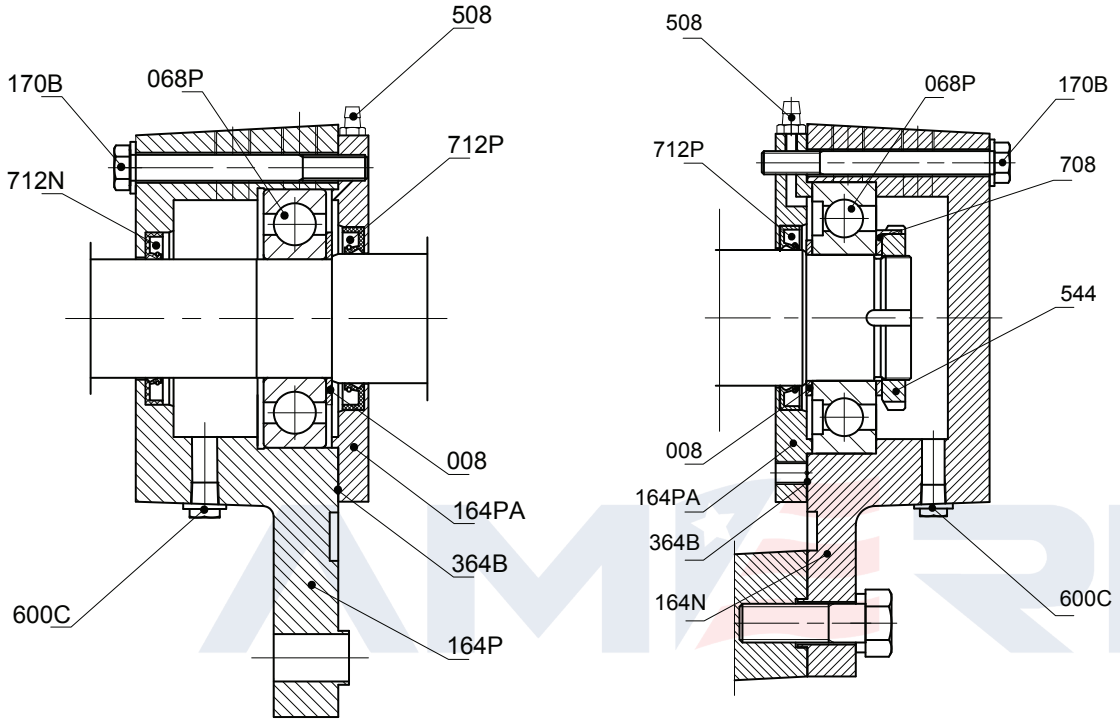
AMERIFLO
 4034 MINT WAY, DALLAS, TX 75237

SC FLEX-COUPLED SPLIT CASE

DRAWING NUMBER
 SC-506011-MOD35

NOTES:
 BOLD ITEMS ARE RECOMMENDED SPARE PARTS.

KIT ASSEMBLY	PART NUMBER
OVERHAUL KIT	750-SC506011-304
ROTATING ASSEMBLY	702-SC506011RH-304 702-SC506011LH-304



COMPLETE PUMP MODEL DESIGNATION

5x6-11 SC

COMPLETE PUMP PART NUMBER (304SS FITTED)

5030-506011-DI/304

NOTES:
BOLD ITEMS ARE RECOMMENDED SPARE PARTS.

PART NUMBER BREAKDOWN

ITEM	PART NUMBER	DESCRIPTION	QUANTITY	MATERIAL
705-207-6307A-030		6307A BRG HOUSING ASSEMBLY, IN	1	DI/304
008	008-6307-104	BEARING, SHIM, 6307	2	STL
068	068-6307-104	BEARING, 6307	1	STL
164P	164-207-6307A-030	BEARING ARM, INBOARD, 6307A	1	CI
164PA	164-6307-030	BEARING HOUSING CAP, 6307	1	CI
170B	170-1090-304	CAPSCREW, M10x90	3	304SS
364	364-13080-855	GASKET, MANILLA, 0.30 MM, M130x80	1	MAN
508	508-5000-104	GREASE FITTING, M6x1	1	STL
600C	600-100250-304	PLUG, 0.250 INCH NPT	1	304SS
600C	600-100375-304	PLUG, 0.375 INCH NPT	1	304SS
605	605-100375-304	VENT PLUG, 0.375 INCH NPT	1	304SS
712N	712-457008-605	LIP SEAL, M45x70x8	1	NBR
712P	712-508008-605	LIP SEAL, M50x80x8	1	NBR
968	968-1010-304	WASHER, FLAT, M10	3	304SS
705-307-6307A-030		6307A BRG HOUSING ASSEMBLY, OUT	1	CI
008	008-6307-104	BEARING, SHIM, 6307	1	STL
068	068-6307-104	BEARING, 6307	1	STL
164N	164-307-6307A-030	BEARING ARM, INBOARD, 6307A	1	CI
164P	164-6307-030	BEARING HOUSING CAP, 6307	1	CI
170B	170-1090-304	CAPSCREW, M10x90	3	304SS
364	364-13080-855	GASKET, MANILLA, 0.30 MM, M130x80	1	MAN
508	508-5000-104	GREASE FITTING, M6x1	1	STL
544	544-M3515-104	LOCKNUT, BEARING, M35x1.5	1	STL
600C	600-100250-304	PLUG, 0.250 INCH NPT	1	304SS
600C	600-100375-304	PLUG, 0.375 INCH NPT	1	304SS
605	605-100375-304	VENT PLUG, 0.375 INCH NPT	1	304SS
708	708-0035-104	LOCKWASHER, BEARING, M35	1	STL
712	712-508008-605	LIP SEAL, M50x80x8	1	NBR
968	968-1010-304	WASHER, FLAT, M10	3	304SS

AMERIFLO
4034 MINT WAY, DALLAS, TX 75237

SC BEARING HOUSING ASSEMBLIES

DRAWING NUMBER
SC-6307A-PARTS