



Corporate Capabilities Petro-Chemical

Ameriflo Corporation

125 Morrison Road
Rossville, TN 38066

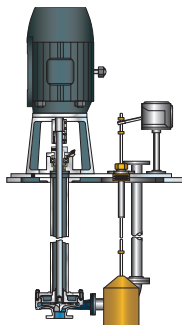
Phone: (888) 301-6311

support@ameriflo-usa.com



www.ameriflo-usa.com

3210 SAG Vertical Sump



Standards

- HI

2 Operating Parameters

- Flow: To 7,000 GPM [1,590 m³/hr]
- Pressure: To 730 Feet [223 m]
- Speeds: 3550, 2950, 1760, 1480 RPM
- Temperatures: To 700°F [371°C]

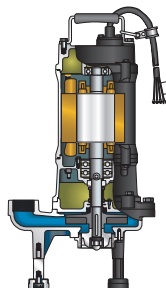
Size Range

- 1x1.5-6 → 8x10-15

Features

- Ductile iron casing/investment cast 304 stainless steel impeller
- Francis, semi-open, high efficiency impeller with broad band operating range
- Casing has cast integral feet under the volute with self-venting, centerline discharge
- 250 pound cast suction flange and 250 pound cast discharge flange with 125 pound drilling standard
- Impeller has hydraulically balanced drilling minimizing axial thrust
- Wide variety of packing, component & cartridge mechanical seals available
- Heavy duty, product lubricated support column for maximum support
- 420 stainless steel shaft standard
- Flanged support bearings with rigid, bronze bearings drilled for optional external flush
- Grease lubricated thrust bearing designed to all axial thrust generated by the fluid end
- Uses standard C-Face motors available in a variety of enclosures and voltages
- Available in a wide variety of optional metallurgies including ductile iron, 304SS, 316SS, Cd4MCu & Hastalloy C

3310 ASG Submersible Sewage



Standards

- HI

Operating Parameters

- Flow: To 2,500 GPM [575 m³/hr]
- Pressure: To 131 Feet [40 m]
- Speeds: 3550, 2950, 1760, 1480 RPM
- Temperatures: To 104°F [40°C]

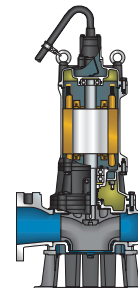
Size Range

- 2" → 12" [50 - 300 mm] Discharge
- 1" → 5" [25 - 150 mm] Solids Passing

Features

- Heavy duty class 30, cast iron impeller available in two vane cutter or semi-open design
- Grinder models available
- Heavy duty class 30, cast iron volute with centerline discharge
- Heavy duty class 420 stainless steel shaft
- Tandem Silicon Carbide/Tungsten Carbide mechanical seals
- Oil chamber for lubricating mechanical seals with standard leak detector
- Double row roller bearing near mechanical seal assembly for minimal shaft deflection
- Sealed for life top and bottom roller bearings
- High temperature sensor in the stator windings available upon request
- Air filled, Class F [IP68] insulation motor - Class H insulation available upon request
- Motor available in a single phase or three phase design
- Optional integral float switch available upon request

3320 ANC Submersible Non-Clog



Standards

- HI

Operating Parameters

- Flow: To 20,700 GPM [4,700 m³/hr]
- Pressure: To 561 Feet [171 m]
- Speeds: 1760, 1480, 1180, 980, 725 RPM
- Temperatures: To 104°F [40°C]

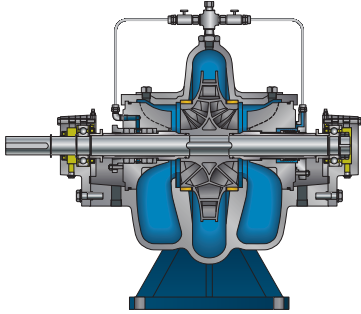
Size Range

- 4" → 24" [100 → 600 mm] Discharge
- 2" → 7" [50 → 180 mm] Solids Passing

Features

- Heavy duty class 30, cast iron impeller available in multi-vane, enclosed design
- Heavy duty class 30, cast iron volute with centerline discharge
- Heavy duty class 304 stainless steel shaft
- Tandem Silicon Carbide/Tungsten Carbide mechanical seals
- Oil chamber for lubricating mechanical seals with standard leak detector
- Double row roller bearing near mechanical seal assembly for minimal shaft deflection
- Sealed for life top and bottom roller bearings
- High temperature sensor in the stator windings available upon request
- Air filled, Class F [IP68] insulation motor - Class H insulation available upon request

3610 HS Split Case



Standards

- HI

Operating Parameters

- Flow: To 90,000 GPM [20,440 m³/hr]
- Pressure: To 700 Feet [213 m]
- Speeds: 3550, 2950, 1750, 1480, 1180, 980, 720 RPM
- Temperatures: To 250°F [121°C]

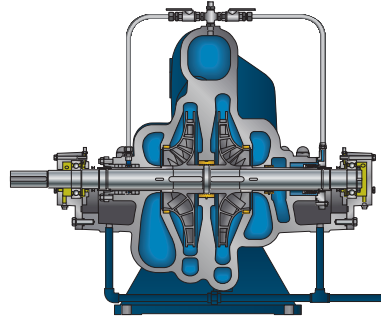
Size Range

- 2x3-15 → 32x40-37

Features

- Cast casing/investment cast 304 stainless steel impeller
- Francis, enclosed, double suction, high efficiency impeller with broad band operating range
- Modular rotating assembly design maximizes the sharing of parts
- 250 pound cast suction flange and 250 pound cast discharge flange with 125 pound drilling standard
- Suction & discharge gauges standard with 304 stainless steel buffer tubing and ball valves
- Cast integral vortex suppressor located at suction inlet designed to minimize pre-rotation of fluid prior to entering the impeller eyes
- Drilled and tapped casing air release valve
- Carbon/Silicon Carbide with Viton elastomers and 304 stainless steel hardware mechanical seal construction standard
- Optional cartridge seals available upon request
- Replaceable case wear rings standard
- Turned, ground and polished 420 stainless steel shaft & 304 stainless steel sleeve standard
- 6300 series deep groove bearing at the inboard and outboard locations
- Inboard & outboard bearing housings are removable and replaceable without removing the casing top
- Casing top has pry bar locations and jack screws to aid in pump disassembly

3620 HS(2) Two-Stage Split Case



Standards

- HI

Operating Parameters

- Flow: To 2,600 GPM [591 m³/hr]
- Pressure: To 980 Feet [299 m]
- Speeds: 3550, 2950, 1750, 1480 RPM
- Temperatures: To 250°F [121°C]

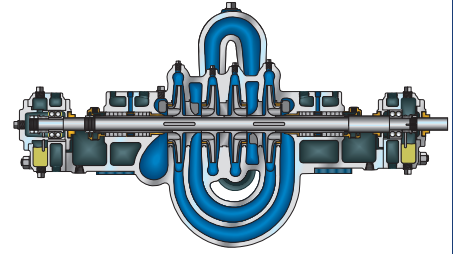
Size Range

- 4x5-13 → 6x8-20

Features

- Cast casing/investment cast 304 stainless steel impellers
- Francis, enclosed, double suction, high efficiency impeller with broad band operating range
- Modular rotating assembly design maximizes the sharing of parts
- 250 pound cast suction flange and 250 pound cast discharge flange with 250 pound drilling standard
- Suction & discharge gauges standard with 304 stainless steel buffer tubing and ball valves
- Opposed hydraulic impeller design & rotated volutes to balance axial thrust
- Cast integral vortex suppressor located at suction inlet designed to minimize pre-rotation of fluid prior to entering the impeller eyes
- Jacketed seal chamber & bearing housings for high temperature applications
- Replaceable case wear rings standard
- Front & rear impeller wear rings standard
- Packing, component & cartridge mechanical seal option available upon request
- Turned, ground and polished 420 stainless steel shaft & 304 stainless steel sleeve standard
- Ring-oiled bearing lubrication standard
- 5300 series deep groove bearing at the inboard location and duplex 7300 angular contact bearings at the outboard location
- Inboard & outboard bearing housings are removable and replaceable without removing the casing top
- Four & six stage pumps are centerline supported for high temperature applications

3620 HH(2/4/6) Two, Four & Six Stage Split Case



Standards

- HI

Operating Parameters

- Flow: To 1,400 GPM [318 m³/hr]
- Pressure: To 2,044 Feet [623 m]
- Speeds: 3550, 2950 RPM
- Temperatures: To 500°F [260°C]

Size Range

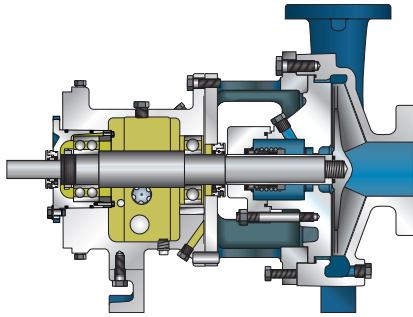
- 1.5x2.5-8 → 5x6-11

Features

- Cast casing/investment cast 304 stainless steel impellers
- Francis, enclosed, double suction, high efficiency impeller with broad band operating range
- Modular rotating assembly design maximizes the sharing of parts
- 400/600 pound cast suction flange and 400/600 pound cast discharge flange with 400/600 pound drilling standard
- Suction & discharge gauges standard with 304 stainless steel buffer tubing and ball valves
- Opposed hydraulic impeller design & rotated volutes to balance axial thrust
- Cast integral vortex suppressor located at suction inlet designed to minimize pre-rotation of fluid prior to entering the impeller eyes
- Drilled and tapped casing air release valve
- Carbon/Silicon Carbide with Viton elastomers and 304 stainless steel hardware mechanical seal construction standard
- Optional cartridge seals available upon request
- Replaceable case wear rings standard
- Turned, ground and polished 420 stainless steel shaft & 304 stainless steel sleeve standard
- 6300 series deep groove bearing at the inboard and outboard locations
- Inboard & outboard bearing housings are removable and replaceable without removing the casing top

4610 AEG

ANSI End Suction



Standards

- HI, ANSI B73.1M-1991

4 Operating Parameters

- Flow: To 7,000 GPM [1,590 m³/hr]
- Pressure: To 730 Feet [223 m]
- Speeds: 3550, 2950, 1760, 1480 RPM
- Temperatures: To 700°F [371°C]

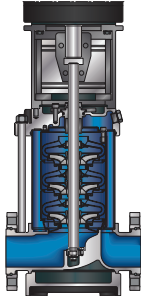
Size Range

- 1x1.5-6 → 8x10-15

Features

- Ductile iron casing/investment cast 304 stainless steel impeller
- Francis, semi-open, high efficiency impeller with broad band operating range
- Casing has cast integral feet under the volute with self-venting, centerline discharge
- 250 pound cast suction flange and 250 pound cast discharge flange with 125 pound drilling standard
- Impeller has hydraulically balanced drilling minimizing axial thrust
- Wide variety of packing, component & cartridge mechanical seals available
- Heavy duty, oil lubricated power frame for maximum support
- 420 stainless steel power frame shaft standard
- Turned, ground and polished 304 stainless steel shaft sleeve with Viton o-ring
- Four (4) power frames cover the entire product line
- Micrometer adjustable outboard thrust bearing to adjust impeller running clearances in the casing assembly
- Available in a wide variety of optional metallurgies including ductile iron, 304SS, 316SS, Cd4MCu & Hastalloy C

4710 VM Vertical Multistage



Standards

- HI, NSF

5 Operating Parameters

- Flow: To 950 GPM [216 m³/hr]
- Pressure: To 952 Feet [290 Feet]
- Speeds: 3550, 2950 RPM

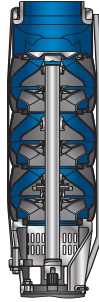
Size Range

- VM1 → VM200
- 1" → 6" [25 → 200 mm]

Features

- 304 stainless steel suction & dome construction
- The entire stack assembly including the shell is constructed out of 304 stainless steel construction
- 250 pound RF suction flange and 250 pound RF discharge flange
- Formed, 304 stainless, high efficiency impeller design that lead the industry on lower horsepower
- Turned, ground and polished 420 stainless steel shaft & 304 stainless steel sleeve standard
- Modular stack assembly groups minimizes number of parts needed
- Easily removable & replaceable cartridge mechanical seal assembly
- C-Face motor bracket with clamshell coupling for trouble free motor alignment

4770 ST Submersible Turbine



Standards

- HI

Operating Parameters

- Flow: To 950 GPM [216 m³/hr]
- Pressure: To 952 Feet [290 Feet]
- Speeds: 3550, 2950 RPM

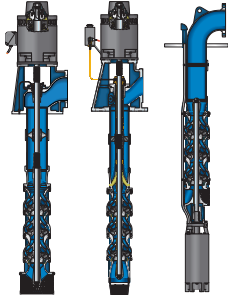
Size Range

- ST1 → ST200
- 1.25" → 6" [32 → 200 mm]

Features

- 304 stainless steel motor bracket, bowl & discharge construction
- The entire stack assembly including the shell is constructed out of 304 stainless steel construction
- NPT discharge flange with integral check valve
- Formed, 304 stainless, high efficiency impeller design that lead the industry on lower horsepower
- Turned, ground and polished 420 stainless steel shaft & 304 stainless steel sleeve standard
- Easily removable & replaceable cartridge mechanical seal assembly
- Motor bracket features a NEMA splined motor connection in 4, 6 & 8 inch connections

4810 VT Vertical Turbine



Standards

- HI, AWWA

Operating Parameters

- Flow: To 34,000 GPM [7,722 m³/hr]
- Pressure: To 1,250 Feet [381 m]
- Speeds: 3550, 2950, 1760, 1480, 1180, 980, 725, 590, 490 RPM
- Temperatures: To 250°F [121°C]

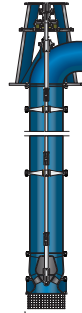
Size Range

- 5" → 52" Lineshaft Bowls
- 5" → 15" Submersible Turbine Bowls
- 4" → 48" Discharge Heads

Features

- Cast iron enameled bowls with investment cast 316 stainless steel impeller
- Francis, semi-open or enclosed, single suction, high efficiency impeller with broad band operating range
- Open or enclosed lineshaft construction
- Dedicated models with double wear rings and hydraulically balanced impeller to reduce axial thrust
- 416 stainless steel bowl shaft with taper lock or keyed construction
- Heavy duty discharge case with additional bearing for shaft support
- Cast iron discharge heads with 250 pound rating with integral o-ring groove (fabricated heads available upon request)
- Ductile iron deepset discharge heads available for settings greater than 1000 feet
- Fabricated can orientation available with above or below base discharge heads
- Packing, stretch nipple or mechanical seal assemblies available
- Vertical holloshaft or solid shaft motors available
- Heavy duty, ductile iron submersible motor brackets through 12 inch NEMA motors
- Wide variety of optional coatings available upon request
- Full optional metallurgy support for corrosive water applications (all bronze, all 2205 & 2507 super duplex stainless steel)

4820 MF Mixed Flow



Standards

- HI, AWWA

Operating Parameters

- Flow: To 180,000 GPM [40,882 m³/hr]
- Pressure: To 200 Feet [61 m]
- Speeds: 1760, 1480, 1180, 980, 725, 590 RPM

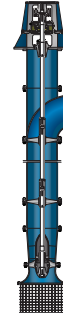
Size Range

- 12" → 96" Lineshaft Bowls
- 4" → 48" Discharge Heads

Features

- Cast iron bowls with investment cast 316 stainless steel impeller
- Francis, semi-open, single suction, high efficiency impeller with broad band operating range
- Open or enclosed lineshaft construction
- 416 stainless steel bowl shaft with taper lock or keyed construction
- Cast iron discharge heads with 250 pound rating with integral o-ring groove (fabricated heads available upon request)
- Packing, stretch nipple or mechanical seal assemblies available
- Vertical holloshaft or solid shaft motors available
- Wide variety of optional coatings available upon request
- Full optional metallurgy support for corrosive water applications (all bronze, all 2205 & 2507 super duplex stainless steel)

4830 AF Axial Flow



Standards

- HI, AWWA

Operating Parameters

- Flow: To 220,000 GPM [49,968 m³/hr]
- Pressure: To 50 Feet [15 m]
- Speeds: 1760, 1480, 1180, 980, 725, 590 RPM

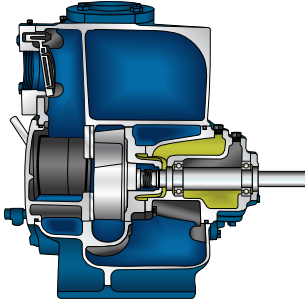
Size Range

- 14" → 96" Lineshaft Bowls
- 8" → 48" Discharge Heads

Features

- Cast iron bowls with investment cast 316 stainless steel propeller
- Francis, open, single suction, high efficiency impeller with broad band operating range
- Open or enclosed lineshaft construction
- 416 stainless steel bowl shaft with taper lock or keyed construction
- Cast iron discharge heads with 250 pound rating with integral o-ring groove (fabricated heads available upon request)
- Packing, stretch nipple or mechanical seal assemblies available
- Vertical holloshaft or solid shaft motors available
- Wide variety of optional coatings available upon request
- Full optional metallurgy support for corrosive water applications (all bronze, all 2205 & 2507 super duplex stainless steel)

4910 AST Self-Primer Trash



Standards

- HI

Operating Parameters

- Flow: To 6,400 GPM [1,454 m³/hr]
- Pressure: To 120 Feet [37 m]
- Speeds: Variable RPM

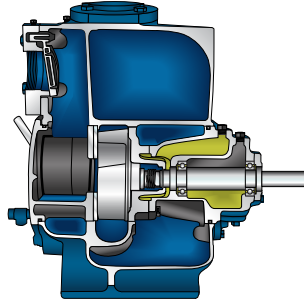
Size Range

- 2x2-6 → 12x12-18

Features

- Cast iron, self-priming casing with oversized clean-out
- Cast iron, two-vane, semi-open impeller designed to pump solids with stringy material
- Solids handling capability through 3 inches
- Removable and replaceable impeller wear plate to renew factory running clearances
- Removable and replaceable suction check valve without disconnecting suction piping
- Tungsten Carbide/Tungsten Carbide mechanical seal design for fluids with abrasives present
- Oil lubricated mechanical seal chamber allowing for dry-run capability
- 420 stainless steel pump shaft
- Oil lubricated bearing housing with oil eye
- Removable and replaceable rotating assembly allowing for an easy and quick pump overhaul
- 6300 series deep groove bearing at the inboard and outboard locations
- Available in a wide variety of optional metallurgies including ductile iron, 304SS, 316SS, Cd4MCu & Hastalloy C

4920 ASU Self-Primer Utility



Standards

- HI

Operating Parameters

- Flow: To 1,400 GPM [318 m³/hr]
- Pressure: To 200 Feet [61 m]
- Speeds: Variable RPM

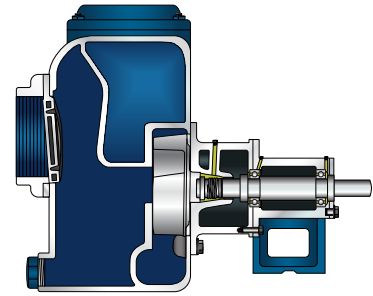
Size Range

- 3x3-11 → 6x6-12

Features

- Cast iron, self-priming casing with oversized clean-out
- Cast iron, multi-vane, semi-open impeller designed to pump solids with stringy material
- Removable and replaceable impeller wear plate to renew factory running clearances
- Removable and replaceable suction check valve without disconnecting suction piping
- Tungsten Carbide/Tungsten Carbide mechanical seal design for fluids with abrasives present
- Oil lubricated mechanical seal chamber allowing for dry-run capability
- 420 stainless steel pump shaft
- Oil lubricated bearing housing with oil eye
- Removable and replaceable rotating assembly allowing for an easy and quick pump overhaul
- 6300 series deep groove bearing at the inboard and outboard locations
- Available in a wide variety of optional metallurgies including ductile iron, 304SS, 316SS, Cd4MCu & Hastalloy C

4930 ALS Self-Primer Non-Clog



Standards

- HI

Operating Parameters

- Flow: To 450 GPM [102 m³/hr]
- Pressure: To 140 Feet [43 m]
- Speeds: Variable RPM

Size Range

- 1.5x1.5-6 → 4x4-5

Features

- Cast iron, self-priming casing
- Cast iron, multi-vane, semi-open impeller designed to pump solids with stringy material
- Tungsten Carbide/Tungsten Carbide mechanical seal design for fluids with abrasives present
- Grease lubricated mechanical seal chamber allowing for dry-run capability
- 420 stainless steel pump shaft
- Grease lubricated bearing housing with oil eye
- Removable and replaceable rotating assembly allowing for an easy and quick pump overhaul
- 6300 series deep groove bearing at the inboard and outboard locations



How It All Began EFFICIENCY BY DESIGN

With years of manufacturing experience, Ameriflo has spent considerable time developing what the customer has asked for. The most diverse hydraulic offering in the Petro-Chemical industry with an emphasis on pump efficiency and systems integration. Ameriflo manufactures all product type in a wide variety of standard and optional materials offering you the solution you need.

Ameriflo is a global manufacturer of integrated systems with facilities located in several countries and has clients in over 80 countries. The corporate manufacturing headquarters is located in Tennessee, along with a very large testing and training facility for distributor and representative training.

Ameriflo uses computational fluid dynamics (CFD) and 3D Solids Works for designing all pumps and systems with detail for all valves, suction & discharge piping and any installed optional accessories specified by the end user. Electric and Diesel engine driven systems are available and can be ordered in a variety of flows and pressures with full optional metallurgy support.

Product Line

The benefit to the Ameriflo offering is that you only need to go to one place for your product line needs. Whether your need is an end suction pump, a large split case or even a vertical turbine Ameriflo has a model for you. Each product line has a very diverse offering from the very small to the very large and everything in between. Do not rely on other manufacturers who have broken product lines with missing models.

Ameriflo also has state-of-the-art engineered customer service.
www.ameriflo-usa.com



The applications engineering part of Ameriflo have decades of engineering and specification work. This background and experience is critical when the design engineer is looking for answers to questions.

Ameriflo has one of the largest test facilities in North America with nearly 300,000 gallons of water utilizing 8 different test loops from 2 inch through 36 inch. The horizontal and vertical test labs have ratings up through 1,000 HP and include string test stands allowing testing with the job motor or Diesel engine.

Communication Is The Key To Our Success

Ameriflo has systems in place making communication with our clients of the utmost priority. Each client has their own customer portal that will allow them to check on all quotations, sales orders and any client case that is generated. These tools put the power in the hands of the client and allow them access to the most current information. This access empowers our clients to respond to their customers in a more timely fashion and secure that next opportunity!

Ameriflo also has a dedicated

theater used for sales and service training. This theater can house approximately 35 students and is used to cover the Ameriflo pump and Diesel engine product lines. Schools are available to sales people and dedicated service schools are also offered. Service schools feature a hands on portion allowing students to disassemble and re-assemble pumps and/or Diesel engines to allow for certified repairs in the field. Contact Ameriflo to inquire about the next school and how you can join in these events.

Ameriflo also has a state-of-the-art software selection package with full configuration, **Ameriflo IQ**, that can be used by simply signing up. E-mail us for additional information.

If you would like more information about what Ameriflo is all about, please contact us.

What separates Ameriflo from the competition, **WE DELIVER.....**

Ameriflo Corporation

125 Morrison Road
Rossville, TN 38066
Phone: (888) 301-6311
www.ameriflo-usa.com

support@ameriflo-usa.com