



8010 Series Component Mechanical Seals

Temperatures to: -40°F to 400°F
Pressures to: 150 PSI
Speeds to: 2500 FPM

SERIES 8010 COMPONENT MECHANICAL SEALS

Sizes: 0.250" to 4.000"
Pressures: To 150 PSI
Speeds: To 2500 FPM
Temp: -40°F to 400°F

Services:
 End Suction
 Vertical Inline
 Split Case
 Submersible Sewage

Elastomer Temperature Limits	
Material	Temperature Limits
Buna-Nitrile	-40°C To 107°C -40°F To 225°F
Fluoro-Elastomer	-29°C To 205°C -20°F To 400°F
Ethylene-Propylene	-45°C To 150°C -49°F To 300°F
Neoprene	-40°C To 100°C -40°F To 212°F

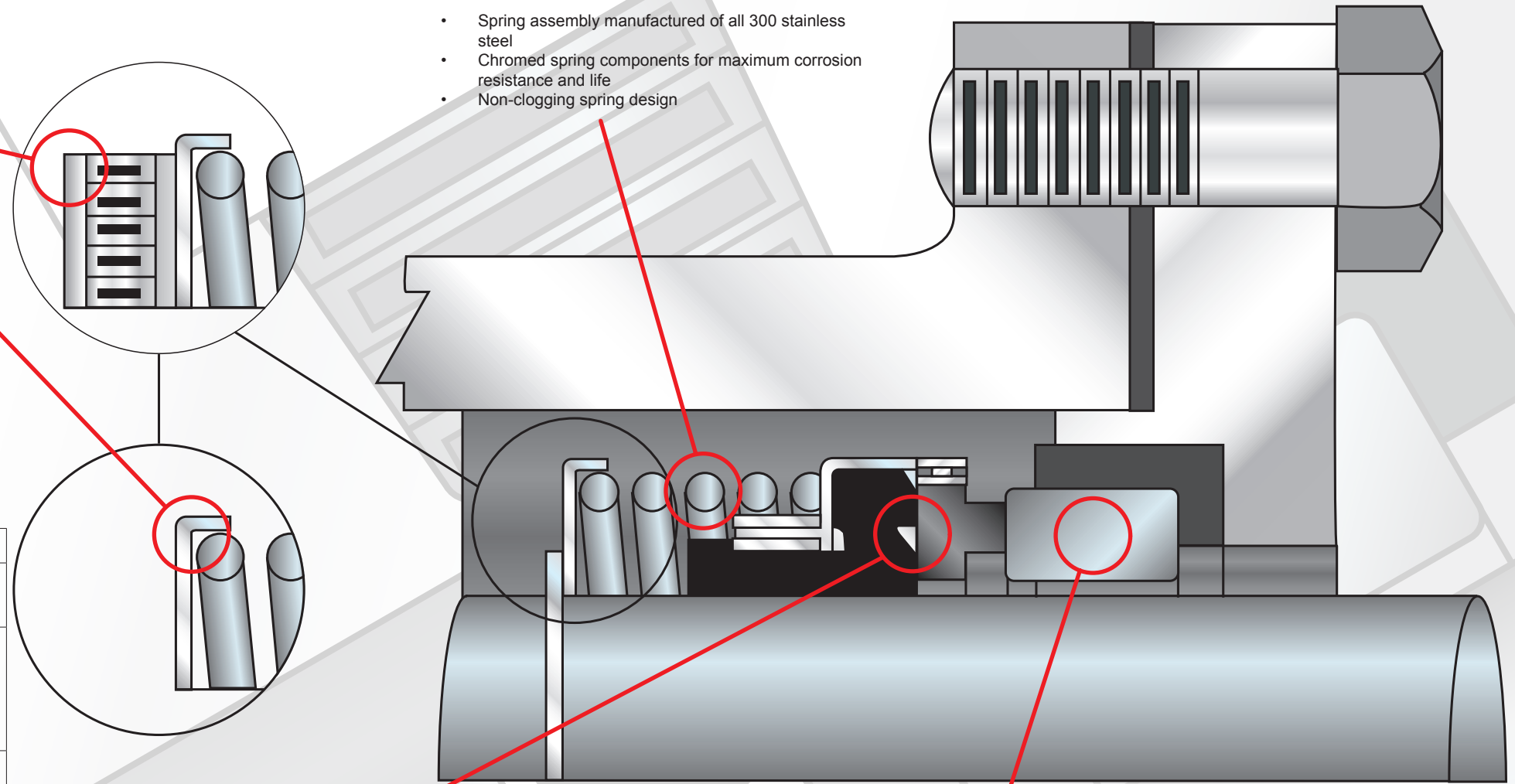
SPRING RETAINER

- Options include stepped shoulder, snap ring or seal collar

SEAL HARDWARE

- Spring assembly manufactured of all 300 stainless steel
- Chromed spring components for maximum corrosion resistance and life
- Non-clogging spring design

Seal De-Rating (Standard Materials)			
Lubricity of Fluid	Gasoline, Kerosene, Oil Or Better	x 1.00	
	Aqueous, Water, etc.	x 0.75	
Fluid Temperature	Below 79C/175F	x 1.00	
	Above 79°C to 121°C/175°F to 250°F	x 0.90	
	Above 121°C to 177°C/250°F to 350°F	x 0.80	
	Above 177°C/350°F	x 0.65	
Seal Size & Rotational Speedf	Seal Size	1800 RPM	3600 RPM
	0.250 To 1.500	x 1.00	x 1.00
	1.625 To 2.000	x 1.00	x 0.73
	2.125 To 2.500	x 1.00	x 0.53
	2.625 To 3.000	x 1.00	x 0.40
	3.125 To 3.500	x 1.00	x 0.33
3.625 To 4.000	x 1.00	x 0.28	



ROTARY HEAD

- Unique machined primary drive ring
- Wide variety of face material options
- Wide variety of elastomeric options
- Half convulusion bellow for maximum sealing
- Rotary head designed to eliminate overstressing of the elastomer

STATIONARY SEAT

- Cup seat mount for maximum flexibility during installation
- Wide variety of face material options
- Wide variety of elastomeric options



How It All Began EFFICIENCY BY DESIGN

With years of manufacturing experience, Ameriflo has spent considerable time developing what the customer has asked for. The most diverse component mechanical seal program available. Ameriflo manufactures mechanical seals in wide variety of standard and optional materials offering you the solution you need.

Ameriflo is a global manufacturer of integrated systems with facilities located in several countries and has clients in over 80 countries. The corporate manufacturing headquarters is located in Tennessee, along with a very large testing and training facility for distributor and representative training.

Ameriflo uses computational fluid dynamics (CFD) and 3D Solids Works for designing all pumps and systems with detail for all valves, suction & discharge piping and any installed optional accessories specified by the end user. Electric and Diesel engine driven systems are available and can be ordered in a variety of flows and pressures with full optional metallurgy support.

Product Line

The benefit to the Ameriflo offering is that you only need to go to one place for your product line needs. Whether your need is an end suction pump, a large split case or even a vertical turbine Ameriflo has a model for you. Each product line has a very diverse offering from the very small to the very large and everything in between. Do not rely on other manufacturers who have broken product lines with missing models.

Ameriflo also has state-of-the-art engineered customer service. The applications engineering part of Ameriflo have decades of

www.ameriflo-usa.com



engineering and specification work. This background and experience is critical when the design engineer is looking for answers to questions.

Ameriflo has one of the largest test facilities in North America with nearly 300,000 gallons of water utilizing 8 different test loops from 2 inch through 36 inch. The horizontal and vertical test labs have ratings up through 1,000 HP and include string test stands allowing testing with the job motor or Diesel engine.

Communication Is The Key To Our Success

Ameriflo has systems in place making communication with our clients of the utmost priority. Each client has their own customer portal that will allow them to check on all quotations, sales orders and any client case that is generated. These tools put the power in the hands of the client and allow them access to the most current information. This access empowers our clients to respond to their customers in a more timely fashion and secure that next opportunity!

Ameriflo also has a dedicated theater used for sales and service training. This theater can house

approximately 35 students and is used to cover the Ameriflo pump and Diesel engine product lines. Schools are available to sales people and dedicated service schools are also offered. Service schools feature a hands on portion allowing students to disassemble and re-assemble pumps and/or Diesel engines to allow for certified repairs in the field. Contact Ameriflo to inquire about the next school and how you can join in these events.

Ameriflo also has a state-of-the-art software selection package with full configuration, **Ameriflo IQ**, that can be used by simply signing up. E-mail us for additional information.

If you would like more information about what Ameriflo is all about, please contact us.

What separates Ameriflo from the competition, **WE DELIVER.....**

Ameriflo Corporation

125 Morrison Road
Rossville, TN 38066
Phone: (888) 301-6311
www.ameriflo-usa.com

support@ameriflo-usa.com