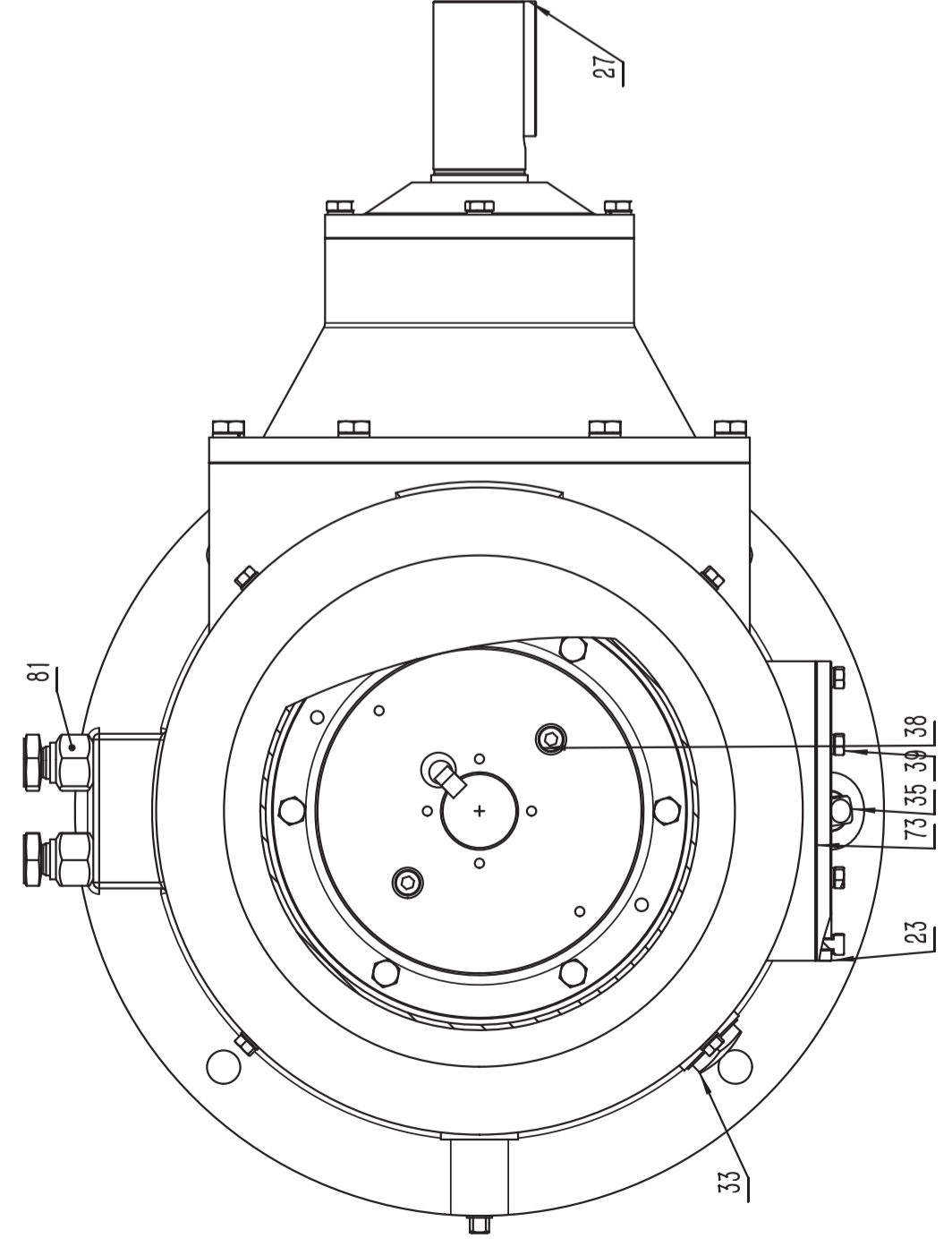
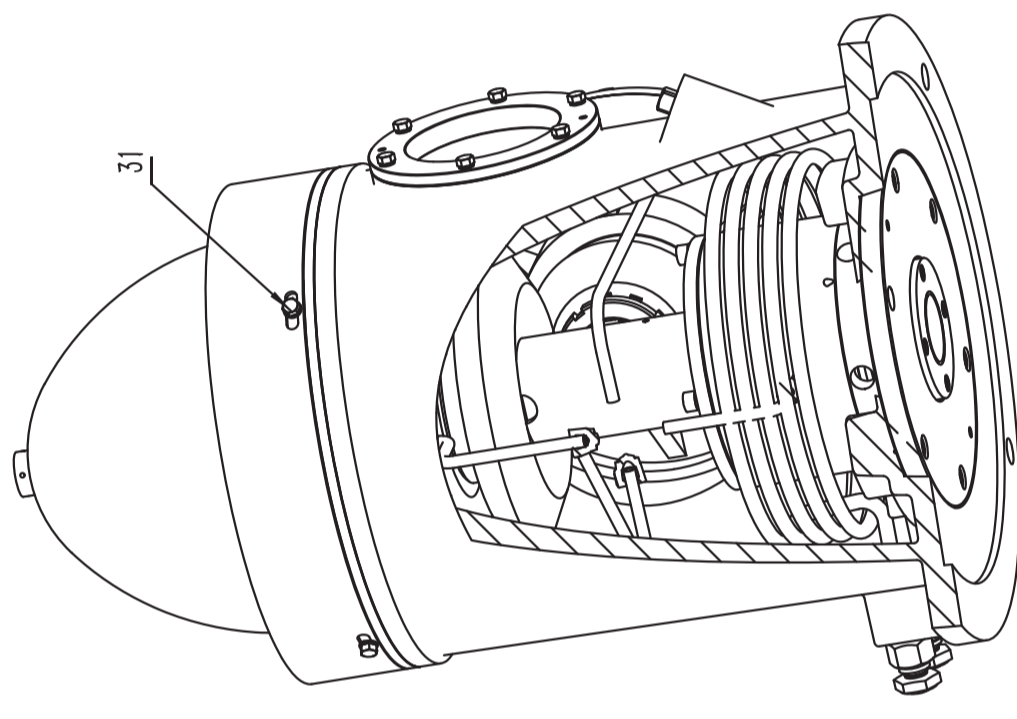
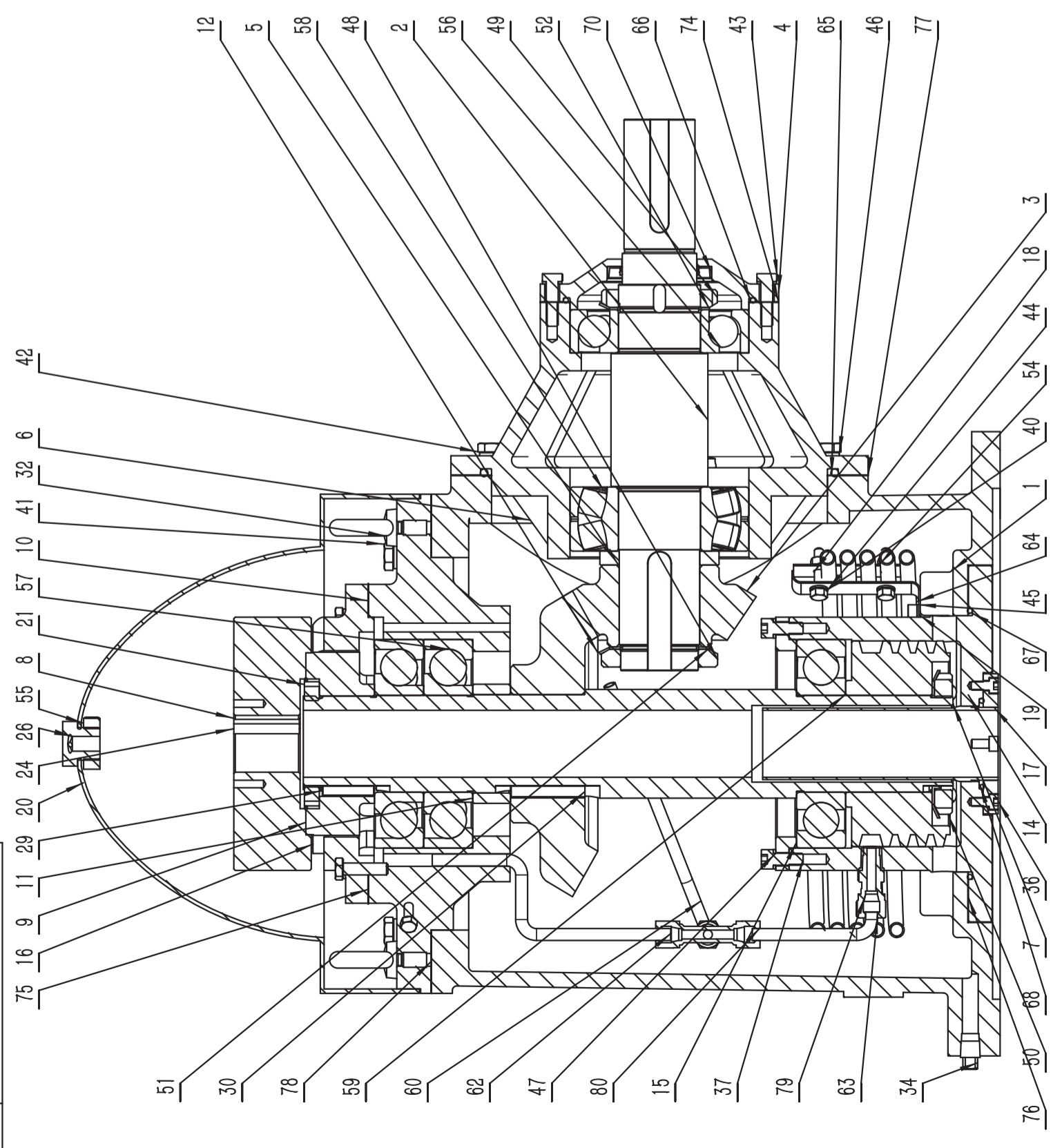


REV 2023A



No.	Code	Name	Specification	Qty.	Remarks
81	Q/AG151.1 E10	Straight pipe joint	3/8"	2	
80	GB/T 3746	Jacketed four-way joint	L8	1	
79	GB/T 3734	Straight pipe joint	L8/RL/4	1	
78		Paper washer	φ 335 x φ 250	1	
77		Paper washer	φ 280 x φ 225	1	
76		Paper washer	φ 240 x φ 172	1	
75		Paper washer	φ 215 x φ 170	1	
74		Paper washer	φ 160 x φ 120	1	
73		Paper washer	φ 155 x φ 125	1	
72	GB/T 119.2	Cylinder pin	12 x 32	2	
71	GB/T 119.2	Cylinder pin	3 x 18	1	
70	GB/T 13871.1	Lip-seal	FB50 x 70 x 8	1	
69	GB/T 3452.1	O-Ring	118 x 3.55	1	
68	GB/T 3452.1	O-Ring	54.5 x 3.55	1	
67	GB/T 3452.1	O-Ring	175 x 3.55	1	
66	GB/T 3452.1	O-Ring	122 x 3.55	1	
65	GB/T 3452.1	O-Ring	230 x 5.3	1	
64	GB/T 16666	Copper pipe	φ 10 x 1	1	
63	GB/T 16666	Copper pipe	φ 8 x 1	1	

No.	Code	Name	Specification	Qty.	Materials	Remarks
62	GB/T 16666	Copper pipe	φ 8 x 1	1		
61	GB/T 16666	Copper pipe	φ 8 x 1	1		
60	GB/T 16666	Copper pipe	φ 8 x 1	1		
59	GB/T 276	Deep groove ball bearing	6313	1		
58	GB/T 288	Self-aligning roller bearing	22311	1		
57	GB/T 292	Angular contact ball bearing	7313B	2		
56	GB/T 292	Angular contact ball bearing	7311B	1		
55	GB/T 6173	Hex nut	M22 x 1.5	1		
54	GB/T 6170	Hex nut	M6	4		
53	GB/T 858	Lock washer	64	1		
52	GB/T 858	Lock washer	55	1		
51	GB/T 858	Lock washer	52	1		
50	GB/T 812	Round nut	M64 x 2LH	1		
49	GB/T 812	Round nut	M55 x 2LH	1		
48	GB/T 812	Round nut	M52 x 1.5	1		
47	GB/T 93	Spring washer	8	22		
46	GB/T 93	Spring washer	10	12		
45	GB/T 93	Spring washer	6	12		
44	GB/T 97.1	Flat washer	6	12		
43	GB/T 5783	Hexagon bolt	M8 x 30	10		
42	GB/T 5783	Hexagon bolt	M10 x 30	6		
41	GB/T 5783	Hexagon bolt	M10 x 40	6		
40	GB/T 5783	Hexagon bolt	M6 x 30	4		
39	GB/T 5783	Hexagon bolt	M6 x 20	6		
38	GB/T 70.1	Hexagon socket cap screw	M8 x 50	2		
37	GB/T 70.1	Hexagon socket cap screw	M8 x 20	10		
36	GB/T 70.1	Hexagon socket cap screw	M6 x 12	6		
35	GB/T 26120 P1	Plug	1/2"	1		
34	GB/T 26120 P1	Plug	1/4"	1		
33	JB/T 7941.2	Oil leveler	A20	1		
32	GB/T 825	Lifting bolt	M10B	2		
31	GB/T 5783	Hexagon bolt	M6 x 16	4		
30	GB/T 1567	Key	B20 x 8 x 50	1		
29	GB/T 1567	Key	B18 x 7 x 35	1		
28	GB/T 1096	Key	B16 x 10 x 55	1		
27	ZJQJX-PJA-A	Key		1		
26	ZJQJX-QM-	Vent cap		1		
25	ZJQJX-YZK-φ 16 x 32	Cylinder pin		2		
24	ZJQJX-GTXJ-φ 53 x 30	Hook key		1		
23	ZJQJX-QQ99-	Window cover		1		
22	φ 155 x φ 105 x 16	Inspection window		1		
21	H100-073	Clamp ring		1		
20	H100-048	Dust cover		1		
19	H125-031-2	Splint		2		
18	H125-031-1	Splint		2		
17	H100-029	Oil seal housing		1		
16	H100-022	Ratchet wheel		1		
15	H100-020	Bearing gland		1		
14	H100-018	Baseboard		1		
13	H100-017	Screw oil pump wheel		1		
12	H100-016(5,3)	Driven gear		1		
11	H100-015	Bush		1		
10	H100-014	Thrust metal		1		
9	H100-013	Inertia wheel		1		
8	H100-012	Non-reverse coupling		1		
7	H100-011(5,3)	Output shaft		1		
6	H100-008	Bearing carrier		1		
5	H100-007	Adjusting washer		1		
4	H100-006	Bearing gland		1		
3	H100-003(5,3)	Driving gear		1		
2	H100-002(5,3)	Input shaft		1		
1	H100-001	Box		1		

PART No.:		PROJECT :	
G100-00 (5:3)		A	
MATERIAL :		NAME :	
GEAR DRIVE ASSEMBLY		GEAR DRIVE ASSEMBLY	
MARK	QTY	CHANGED FILE NO.	DATE
DWN		DATE	DATE
PRF		DATE	DATE
CHD		DATE	DATE
REVD		DATE	DATE

