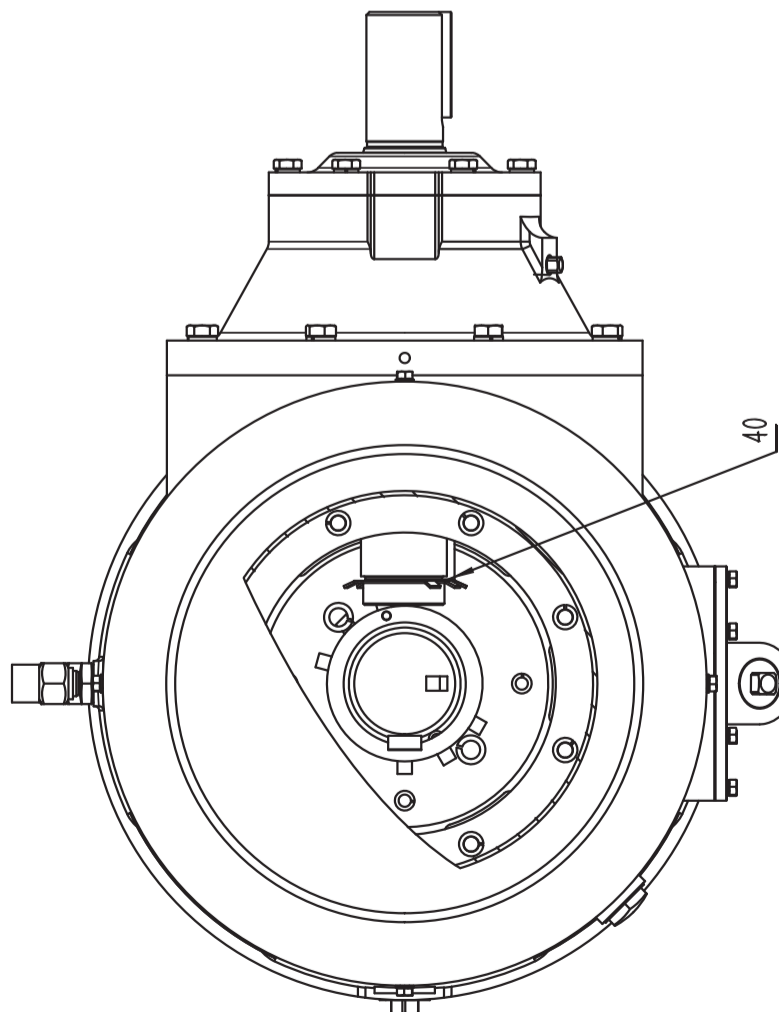
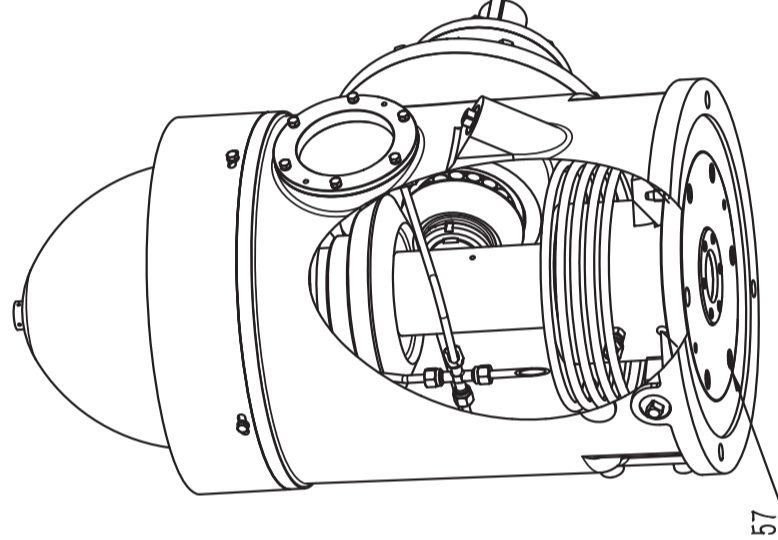
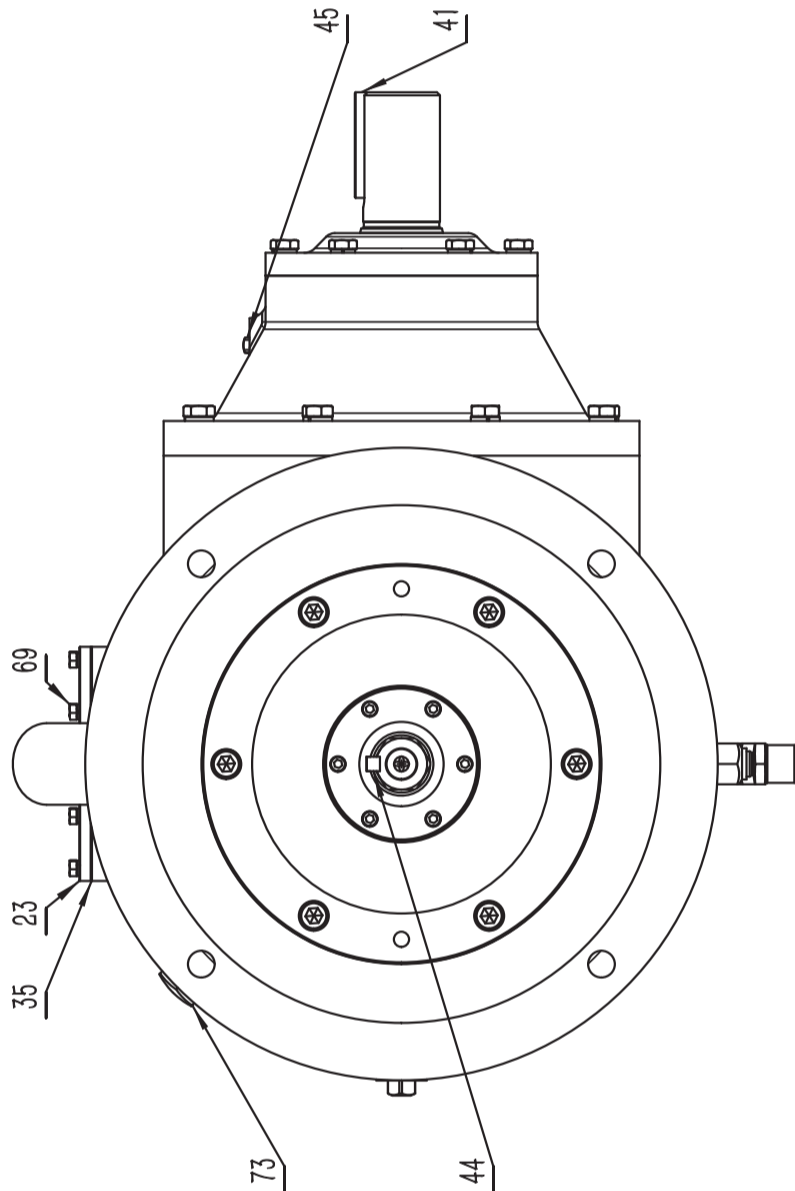
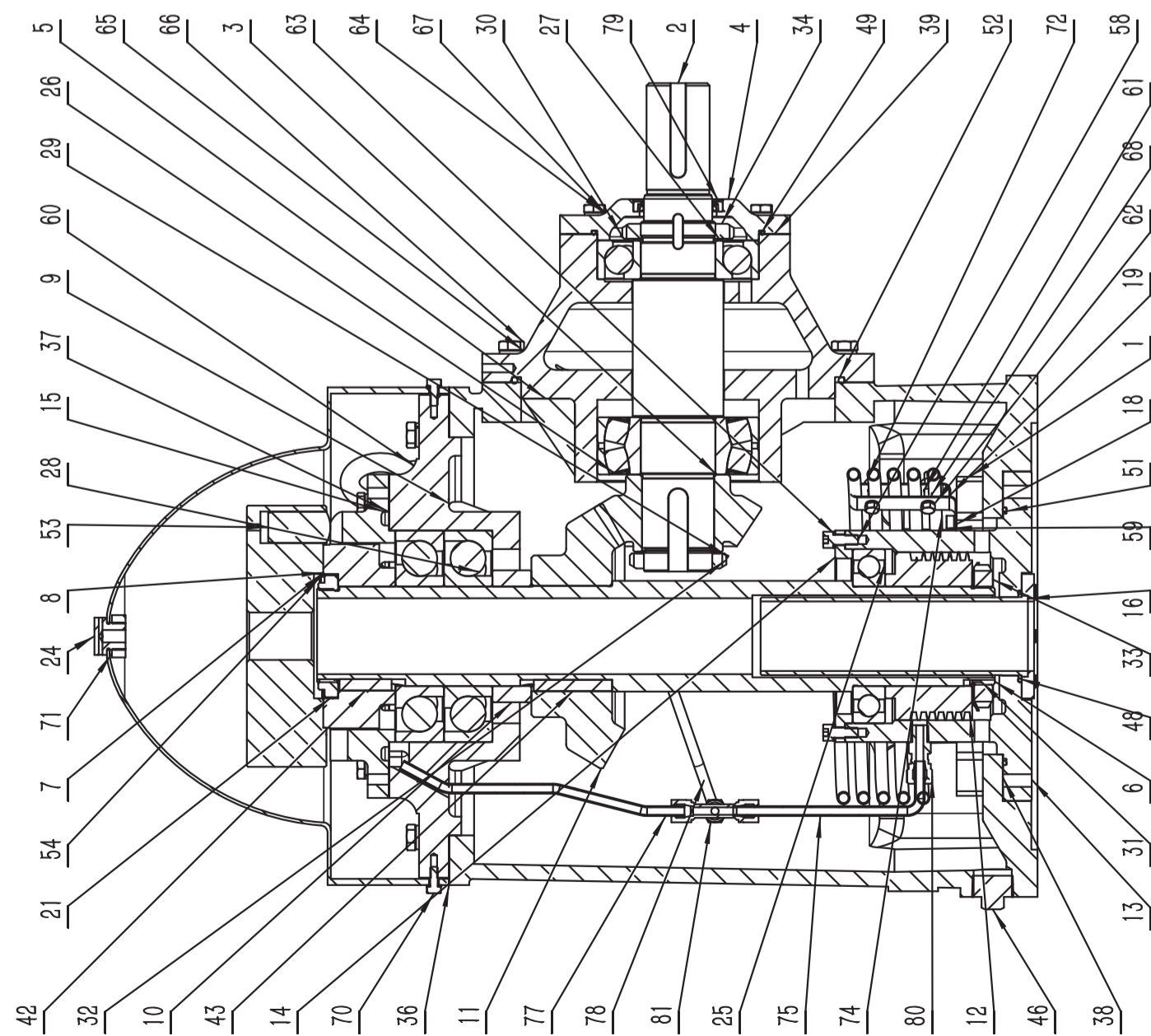


REV 2023A



| No. | Code | Name | Specification | Qty. | Materials | Remarks |
|-----|---------------|-------------------------|---------------|------|-----------|---------|
| 81 | Q/AG151.1 E10 | Straight pipe joint | 3/8" | 2 | | |
| 80 | GB/T 3746 | Jacketed four-way joint | L8 | 1 | | |
| 79 | GB/T 3734 | Straight pipe joint | L8/RL/4 | 1 | | |
| 78 | | Paper washer | φ 335 x φ 250 | 1 | | |
| 77 | | Paper washer | φ 280 x φ 225 | 1 | | |
| 76 | | Paper washer | φ 240 x φ 172 | 1 | | |
| 75 | | Paper washer | φ 215 x φ 170 | 1 | | |
| 74 | | Paper washer | φ 160 x φ 120 | 1 | | |
| 73 | | Paper washer | φ 155 x φ 125 | 1 | | |
| 72 | GB/T 119.2 | Cylinder pin | 12 x 32 | 2 | | |
| 71 | GB/T 119.2 | Cylinder pin | 3 x 18 | 1 | | |
| 70 | GB/T 13671.1 | Lip-seal | FB55 x 72 x 8 | 1 | | |
| 69 | GB/T 3452.1 | O-Ring | 118 x 3.55 | 1 | | |
| 68 | GB/T 3452.1 | O-Ring | 54.5 x 3.55 | 1 | | |
| 67 | GB/T 3452.1 | O-Ring | 175 x 3.55 | 1 | | |
| 66 | GB/T 3452.1 | O-Ring | 122 x 3.55 | 1 | | |
| 65 | GB/T 3452.1 | O-Ring | 230 x 5.3 | 1 | | |
| 64 | GB/T 16666 | Copper pipe | φ 10 x 1 | 1 | | |
| 63 | GB/T 16666 | Copper pipe | φ 8 x 1 | 1 | | |

| No. | Code | Name | Specification | Qty. | Materials | Remarks |
|-----|---------------------|------------------------------|---------------|------|-----------|---------|
| 62 | GB/T 16666 | Copper pipe | φ 8 x 1 | 1 | | |
| 61 | GB/T 16666 | Copper pipe | φ 8 x 1 | 1 | | |
| 60 | GB/T 16666 | Copper pipe | φ 8 x 1 | 1 | | |
| 59 | GB/T 276 | Deep groove ball bearing | 6216 | 1 | | |
| 58 | GB/T 288 | Self-aligning roller bearing | 22312 | 1 | | |
| 57 | GB/T 292 | Angular contact ball bearing | 7316B | 2 | | |
| 56 | GB/T 292 | Angular contact ball bearing | 7312B | 1 | | |
| 55 | GB/T 6173 | Hex nut | M22 x 1.5 | 1 | | |
| 54 | GB/T 6170 | Hex nut | M6 | 4 | | |
| 53 | GB/T 658 | Lock washer | 64 | 1 | | |
| 52 | GB/T 658 | Lock washer | 55 | 1 | | |
| 51 | GB/T 658 | Lock washer | 52 | 1 | | |
| 50 | GB/T 812 | Round nut | M64 x 2LH | 1 | | |
| 49 | GB/T 812 | Round nut | M55 x 2LH | 1 | | |
| 48 | GB/T 812 | Round nut | M52 x 1.5 | 1 | | |
| 47 | GB/T 93 | Spring washer | 8 | 22 | | |
| 46 | GB/T 93 | Spring washer | 10 | 12 | | |
| 45 | GB/T 93 | Spring washer | 6 | 12 | | |
| 44 | GB/T 97.1 | Flat washer | 6 | 12 | | |
| 43 | GB/T 5783 | Hexagon bolt | M8 x 30 | 10 | | |
| 42 | GB/T 5783 | Hexagon bolt | M10 x 30 | 6 | | |
| 41 | GB/T 5783 | Hexagon bolt | M10 x 40 | 6 | | |
| 40 | GB/T 5783 | Hexagon bolt | M6 x 30 | 4 | | |
| 39 | GB/T 5783 | Hexagon bolt | M6 x 20 | 6 | | |
| 38 | GB/T 70.1 | Hexagon socket cap screw | M8 x 50 | 2 | | |
| 37 | GB/T 70.1 | Hexagon socket cap screw | M8 x 20 | 10 | | |
| 36 | GB/T 70.1 | Hexagon socket cap screw | M6 x 12 | 6 | | |
| 35 | GB/T 26120 P1 | Plug | 1/2" | 1 | | |
| 34 | GB/T 26120 P1 | Plug | 1/4" | 1 | | |
| 33 | JB/T 7941.2 | Oil leveler | A20 | 1 | | |
| 32 | GB/T 825 | Lifting bolt | M10B | 2 | | |
| 31 | GB/T 5783 | Hexagon bolt | M6 x 16 | 4 | | |
| 30 | GB/T 1567 | Key | B20 x 8 x 50 | 1 | | |
| 29 | GB/T 1567 | Key | B18 x 7 x 35 | 1 | | |
| 28 | GB/T 1096 | Key | B16 x 10 x 50 | 1 | | |
| 27 | ZJQJX-PJA-A | Key | | 1 | | |
| 26 | ZJQJX-1QM- | Vent cap | | 1 | | |
| 25 | ZJQJX-YZK-φ25 x 50 | Cylinder pin | | 2 | | |
| 24 | ZJQJX-GTXJ-9.53 x 4 | Hook key | | 1 | | |
| 23 | ZJQJX-Q909- | Window cover | | 1 | | |
| 22 | φ 155 x φ 105 x 16 | Inspection window | | 1 | | |
| 21 | H150-073 | Clamp ring | | 1 | | |
| 20 | H150-048 | Dust cover | | 1 | | |
| 19 | H150-031-2 | Splint | | 2 | | |
| 18 | H150-031-1 | Splint | | 2 | | |
| 17 | H150-029 | Oil seal housing | | 1 | | |
| 16 | H150-022 | Ratchet wheel | | 1 | | |
| 15 | H150-020 | Bearing gland | | 1 | | |
| 14 | H150-018 | Baseboard | | 1 | | |
| 13 | H150-017 | Screw oil pump wheel | | 1 | | |
| 12 | H150-016(5,3) | Driven gear | | 1 | | |
| 11 | H150-015 | Bush | | 1 | | |
| 10 | H150-014 | Thrust metal | | 1 | | |
| 9 | H150-013 | Inertia wheel | | 1 | | |
| 8 | H150-012 | Non-reverse coupling | | 1 | | |
| 7 | H150-011(5,3) | Output shaft | | 1 | | |
| 6 | H150-008 | Bearing carrier | | 1 | | |
| 5 | H150-007 | Adjusting washer | | 1 | | |
| 4 | H150-006 | Bearing gland | | 1 | | |
| 3 | H150-003(5,3) | Driving gear | | 1 | | |
| 2 | H150-002(5,3) | Input shaft | | 1 | | |
| 1 | H150-001 | Box | | 1 | | |

| PART No.: | | PROJECT : | |
|---------------|------------------|---------------------|------|
| G150-00 (5-3) | | A | |
| MATERIAL : | | NAME : | |
| MARK : | | GEAR DRIVE ASSEMBLY | |
| DWN | CHANGED FILE NO. | DATE | DATE |
| PRF | DATE | DATE | DATE |
| CHD | DATE | DATE | DATE |
| REVD | DATE | DATE | DATE |

