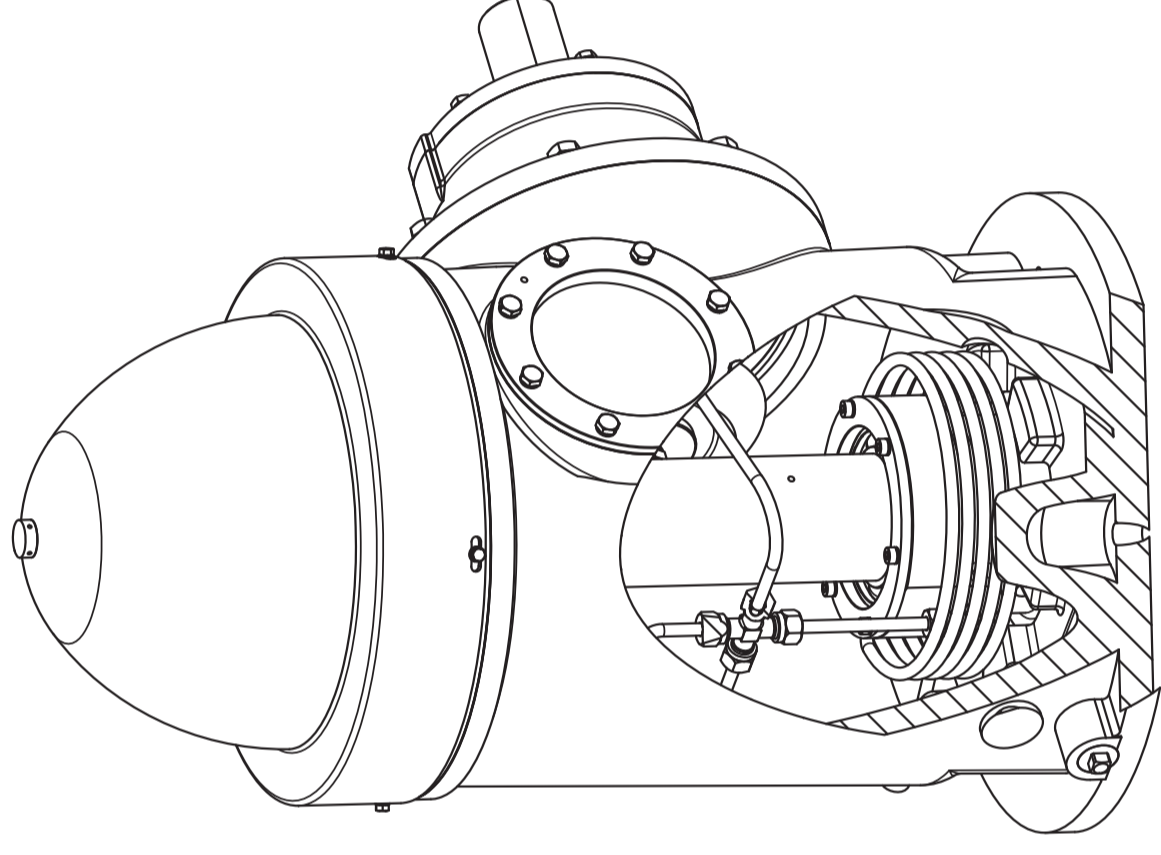
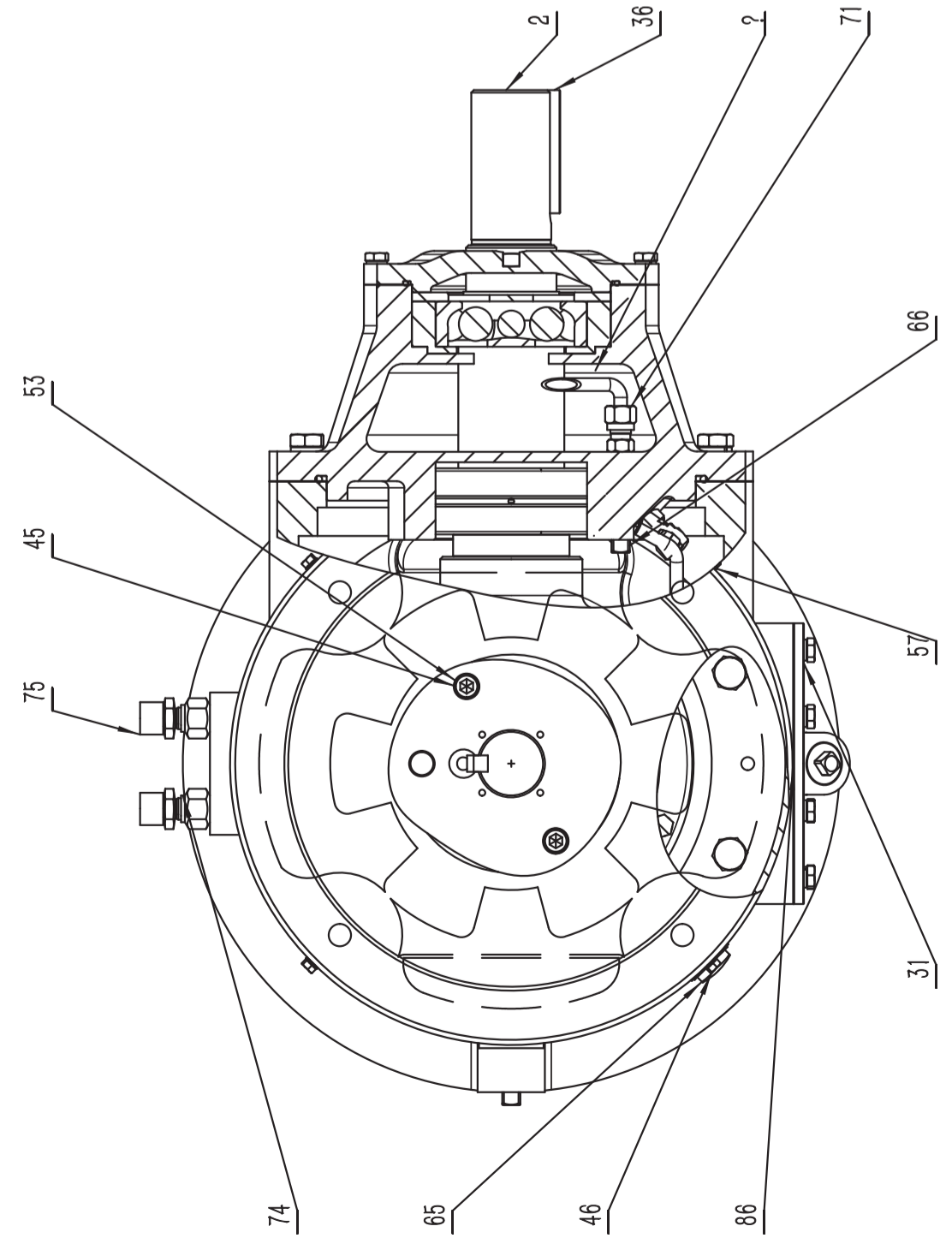
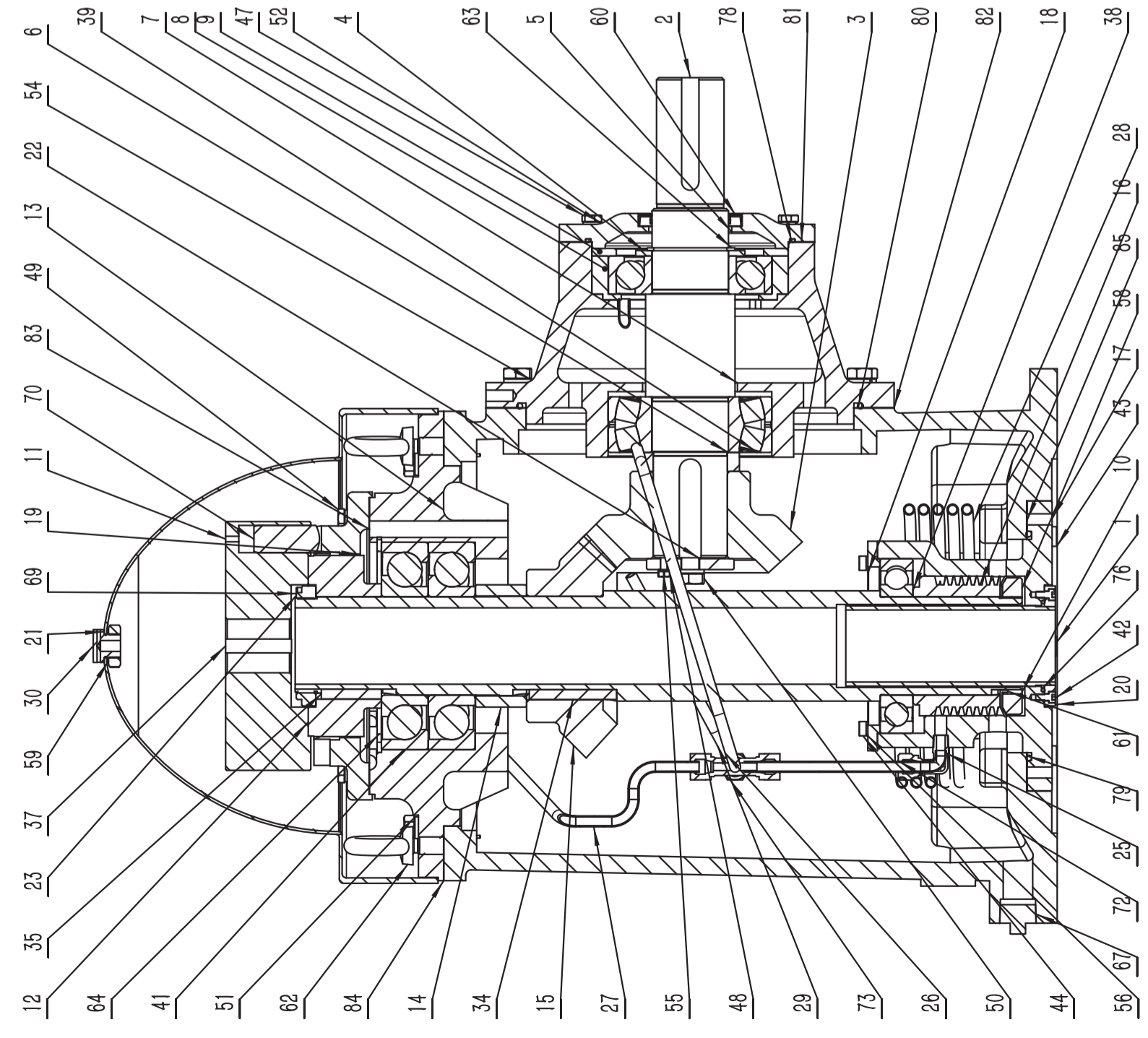


REV 2023A



No.	Code	Name	Specification	Qty.	Materials	Remarks
62	GB/T 16866	Copper pipe	φ 8 x 1	1		
61	GB/T 16866	Copper pipe	φ 8 x 1	1		
60	GB/T 16866	Copper pipe	φ 8 x 1	1		
59	GB/T 276	Deep groove ball bearing	6218	1		
58	GB/T 288	Self-aligning roller bearing	22314	1		
57	GB/T 292	Angular contact ball bearing	7318B	2		
56	GB/T 292	Angular contact ball bearing	7314B	1		
55	GB/T 6173	Hex nut	M22 x 1.5	1		
54	GB/T 6170	Hex nut	M6	4		
53	GB/T 858	Lock washer	64	1		
52	GB/T 858	Lock washer	55	1		
51	GB/T 858	Lock washer	52	1		
50	GB/T 812	Round nut	M64 x 2LH	1		
49	GB/T 812	Round nut	M55 x 2LH	1		
48	GB/T 812	Round nut	M52 x 1.5	1		
47	GB/T 93	Spring washer	8	22		
46	GB/T 93	Spring washer	10	12		
45	GB/T 93	Spring washer	6	12		
44	GB/T 97.1	Flat washer	6	12		
43	GB/T 5783	Hexagon bolt	M8 x 30	10		
42	GB/T 5783	Hexagon bolt	M10 x 30	6		
41	GB/T 5783	Hexagon bolt	M10 x 40	6		
40	GB/T 5783	Hexagon bolt	M6 x 30	4		
39	GB/T 5783	Hexagon bolt	M6 x 20	6		
38	GB/T 70.1	Hexagon socket cap screw	M8 x 50	2		
37	GB/T 70.1	Hexagon socket cap screw	M8 x 20	10		
36	GB/T 70.1	Hexagon socket cap screw	M6 x 12	6		
35	GB/T 26120 P1	Plug	1/2"	1		
34	GB/T 26120 P1	Plug	1/4"	1		
33	JB/T 7941.2	Oil leveler	A20	1		
32	GB/T 825	Lifting bolt	M10B	2		
31	GB/T 5783	Hexagon bolt	M6 x 16	4		
30	GB/T 1567	Key	B25 x 9 x 55	1		
29	GB/T 1567	Key	B25 x 9 x 80	1		
28	GB/T 1096	Key	B20 x 12 x 80	1		
27	ZJQJX-PJA-A	Key		1		
26	ZJQJX-TQM-	Vent cap		1		
25	ZJQJX-YZK-φ25 x 50	Cylinder pin		2		
24	ZJQJX-GTXJ-φ 53 x 40	Hook key		1		
23	ZJQJX-QQ99-	Window cover		1		
22	φ 155 x φ 105 x 16	Inspection window		1		
21	H250-073	Clamp ring		1		
20	H250-048	Dust cover		1		
19	H250-031-2	Splint		2		
18	H250-031-1	Splint		2		
17	H250-029	Oil seal housing		1		
16	H250-022	Ratchet wheel		1		
15	H250-020	Bearing gland		1		
14	H250-018	Baseboard		1		
13	H250-017	Screw oil pump wheel		1		
12	H250-016(1.1)	Driven gear		1		
11	H250-015	Bush		1		
10	H250-014	Thrust metal		1		
9	H250-013	Inertia wheel		1		
8	H250-012	Non-reverse coupling		1		
7	H250-011(1.1)	Output shaft		1		
6	H250-008	Bearing carrier		1		
5	H250-007	Adjusting washer		1		
4	H250-006	Bearing gland		1		
3	H250-003(1.1)	Driving gear		1		
2	H250-002(1.1)	Input shaft		1		
1	H250-001	Box		1		

PROJECT :		G250-00 (1:1)	
MATERIAL :		GEAR DRIVE ASSEMBLY	
MARK	QTY	CHANGED FILE NO.	DATE
DWN		DATE	
PRF		DATE	
CHD		DATE	
REVD		DATE	