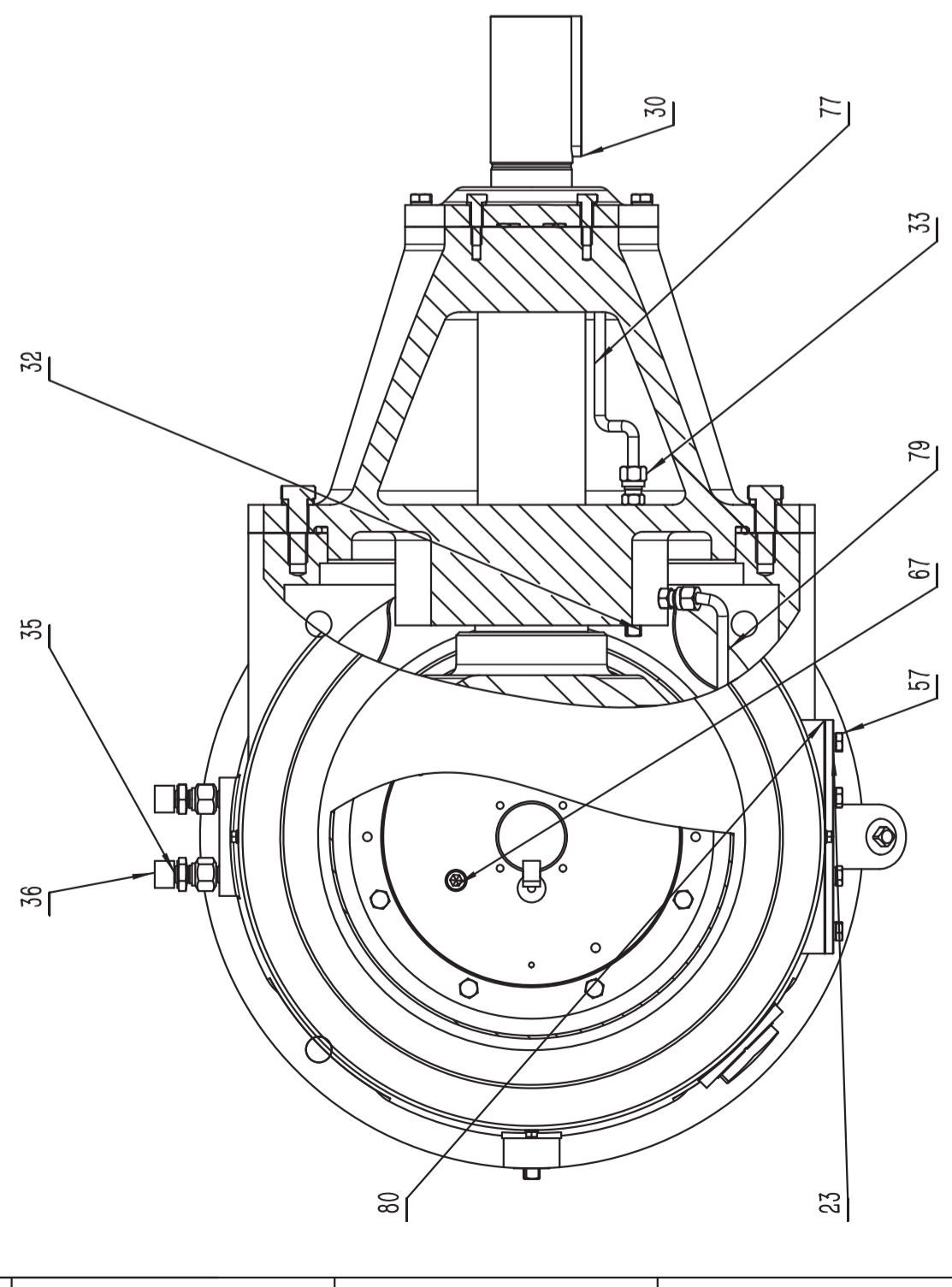
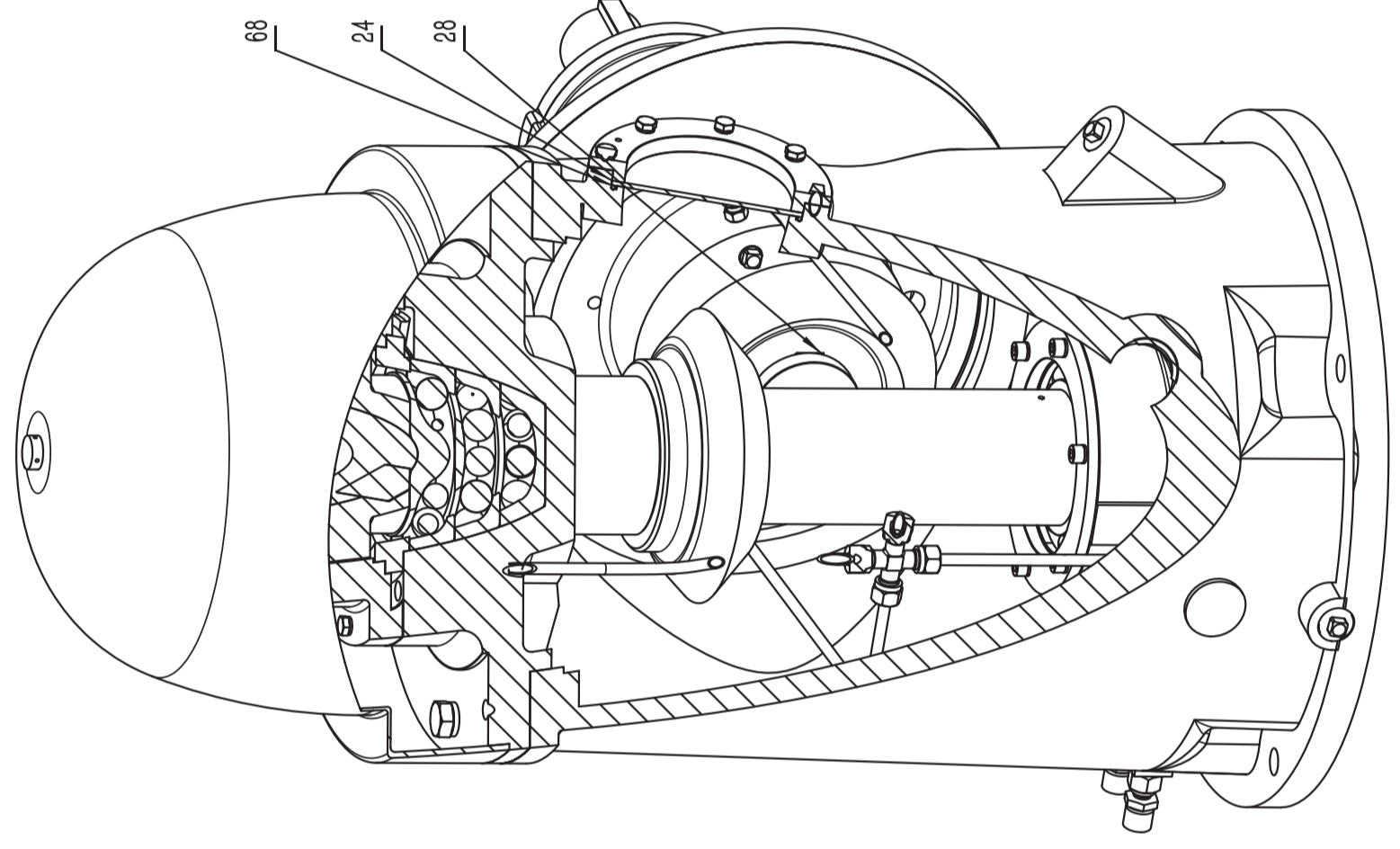
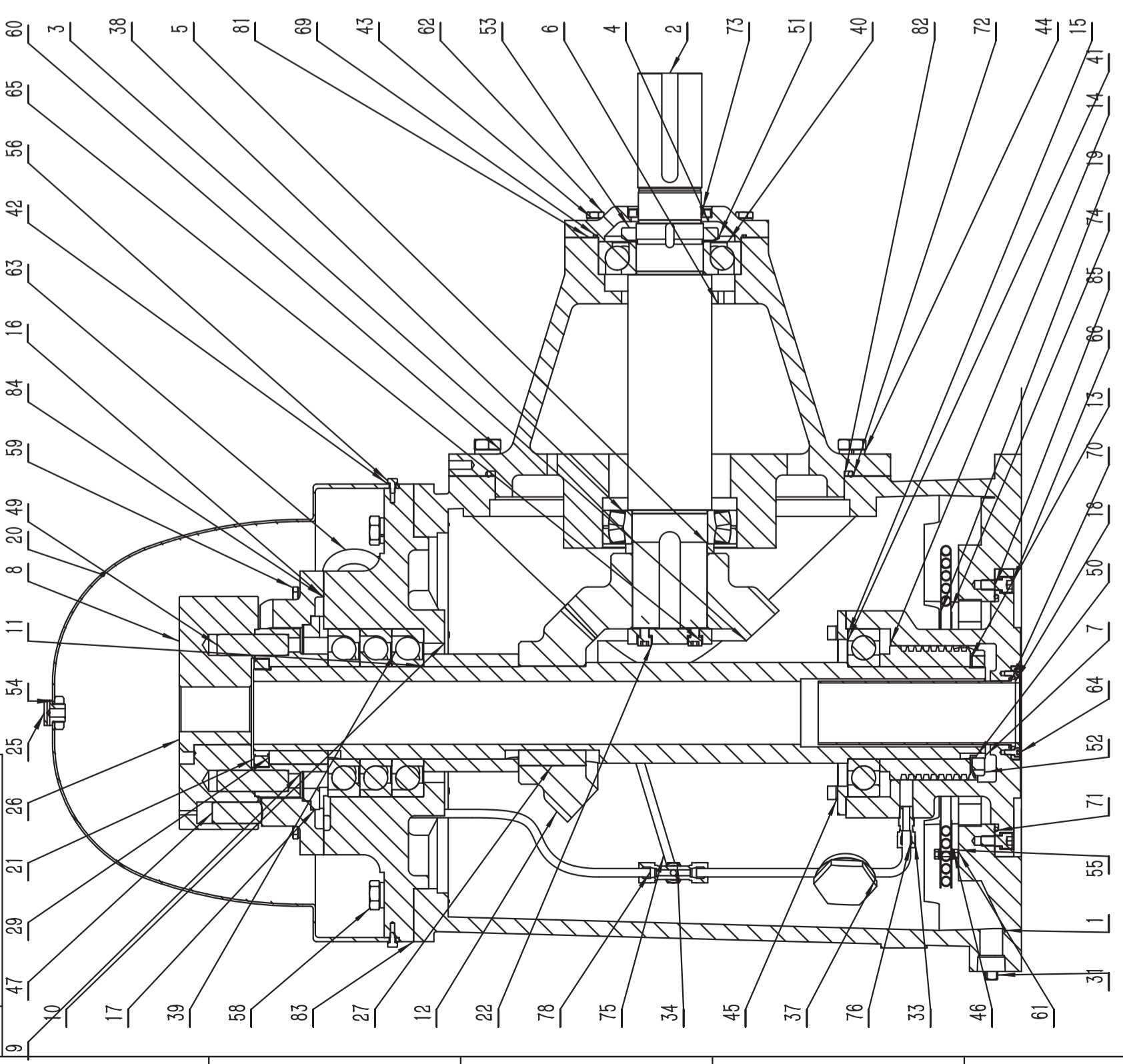


REV 2023A



No.	Code	Name	Specification	Qty.	Materials	Remarks
62	GB/T 18686	Copper pipe	φ8×1	1		
61	GB/T 18686	Copper pipe	φ8×1	1		
60	GB/T 18686	Copper pipe	φ8×1	1		
59	GB/T 276	Deep groove ball bearing	6222	1		
58	GB/T 282	Self-aligning roller bearing	22218	1		
57	GB/T 282	Angular contact ball bearing	7222B	3		
56	GB/T 282	Angular contact ball bearing	7316B	1		
55	GB/T 6173	Hex nut	M22×1.5	1		
54	GB/T 6170	Hex nut	M8	4		
53	GB/T 858	Lock washer	64	1		
52	GB/T 858	Lock washer	55	1		
51	GB/T 858	Lock washer	52	1		
50	GB/T 812	Round nut	M8×2LH	1		
49	GB/T 812	Round nut	M5.5×2LH	1		
48	GB/T 812	Round nut	M5.2×1.5	1		
47	GB/T 93	Spring washer	8	22		
46	GB/T 93	Spring washer	10	12		
45	GB/T 93	Spring washer	6	12		
44	GB/T 97.1	Flat washer	6	12		
43	GB/T 5783	Hexagon bolt	M8×30	10		
42	GB/T 5783	Hexagon bolt	M10×30	6		
41	GB/T 5783	Hexagon bolt	M10×40	6		
40	GB/T 5783	Hexagon bolt	M8×30	4		
39	GB/T 5783	Hexagon bolt	M6×20	6		
38	GB/T 70.1	Hexagon socket cap screw	M8×50	2		
37	GB/T 70.1	Hexagon socket cap screw	M8×20	10		
36	GB/T 70.1	Hexagon socket cap screw	M6×12	6		
35	GB/T 26120 P1	Plug	1/2"	1		
34	GB/T 26120 P1	Plug	1/4"	1		
33	JB/T 7941.2	Oil leveler	A20	1		
32	GB/T 825	Lifting bolt	M10B	2		
31	GB/T 5783	Hexagon bolt	M6×16	4		
30	GB/T 1567	Key	B28×16×70	1		
29	GB/T 1567	Key	B25×14×80	1		
28	GB/T 1096	Key	B32×18×80	1		
27	ZJQX-21A-A	Key		1		
26	ZJQX-10M	Vent cap		1		
25	ZJQX-Y2A-φ25×50	Cylinder pin		2		
24	ZJQX-47XXJ-9.53×41hook	Key		1		
23	ZJQX-02001	Window cover		1		
22	ZJQX-000-φ125×3	Inspection window		1		
21	H500-073	Clamp ring		1		
20	H500-048	Dust cover		1		
19	H500-031-2	Splint		2		
18	H500-031-1	Splint		2		
17	H500-029	Oil seal housing		1		
16	H500-022	Ratchet wheel		1		
15	H500-020	Bearing gland		1		
14	H500-018	Baseboard		1		
13	H500-017	Screw oil pump wheel		1		
12	H500-016(1,1)	Driver gear		1		
11	H500-015	Bush		1		
10	H500-014	Thrust metal		1		
9	H500-013	Inertia wheel		1		
8	H500-012	Non-reverse coupling		1		
7	H500-011(1,1)	Output shaft		1		
6	H500-008	Bearing carrier		1		
5	H500-007	Adjusting washer		1		
4	H500-006	Bearing gland		1		
3	H500-003(1,1)	Driving gear		1		
2	H500-002(1,1)	Input shaft		1		
1	H500-001	Box		1		

No.	Code	Name	Specification	Qty.	Materials	Remarks
81	Q/AM151.1 E10	Straight pipe joint	3/8"	2		
80	GB/T 3746	Jacketed four-way joint	L8	1		
79	GB/T 3734	Straight pipe joint	1.8/1.1/4	1		
78		Paper washer	φ335×φ250	1		
77		Paper washer	φ280×φ225	1		
76		Paper washer	φ240×φ172	1		
75		Paper washer	φ215×φ170	1		
74		Paper washer	φ160×φ120	1		
73		Paper washer	φ155×φ125	1		
72	GB/T 119.2	Cylinder pin	12×32	2		
71	GB/T 119.2	Cylinder pin	3×18	1		
70	GB/T 13871.1	Lip-seal	F870×95×10	1		
69	GB/T 3452.1	O-Ring	118×3.55	1		
68	GB/T 3452.1	O-Ring	54.5×3.55	1		
67	GB/T 3452.1	O-Ring	175×3.55	1		
66	GB/T 3452.1	O-Ring	122×3.55	1		
65	GB/T 3452.1	O-Ring	230×5.3	1		
64	GB/T 18686	Copper pipe	φ10×1	1		
63	GB/T 18686	Copper pipe	φ8×1	1		

PART No.:		PROJECT :	
G500-00 (1:1)		GEAR DRIVE ASSEMBLY	
MATERIAL :		NAME :	
		GEAR DRIVE ASSEMBLY	
MARK	QTY	CHANGED FILE NO.	SIGN
DWN	DATE	DATE	SCALE
			1:6
PRF	DATE	DATE	MARK
CHD	DATE	DATE	WT
REVD	DATE	DATE	SHT
		2023/2/27	2
			OF

